

Harvesting Units



TECHNICAL MANUAL Harvesting Units

TM1295 (01AUG83) English

John Deere Ottumwa Works
TM1295 (01AUG83)

LITHO IN U.S.A.
ENGLISH



HARVESTING UNITS TECHNICAL MANUAL TM-1295 (AUG-83)

CONTENTS

SECTION 10 - CORN HEAD UNITS

- Group 05 - General Information
- Group 10 - Diagnosing Malfunctions
- Group 15 - Power Train
- Group 20 - Corn Head Attaching Parts

SECTION 20 - MOWER BAR UNITS

- Group 05 - General Information
- Group 10 - Diagnosing Malfunctions
- Group 15 - 1.83 m (6 ft) Reel
- Group 20 - 3.66 m (12 ft) Reel
- Group 25 - 1.83 m (6 ft) Main Drive Shaft
- Group 30 - 3.66 m (12 ft) Main Drive Shaft
- Group 35 - 1.83 m (6 ft) Auger
- Group 40 - 3.66 m (12 ft) Auger
- Group 45 - Knife Drive Case
- Group 50 - Knives

SECTION 30 - PICKUP UNITS

- Group 05 - Diagnosing Malfunctions
- Group 10 - 1.68 m (5 1/2 ft) Hay Pickup
- Group 15 - 2.14 m (7 ft) Hay Pickup

SECTION 40 — ROW-CROP UNITS

- Group 05 - General Information
- Group 10 - Diagnosing Malfunctions
- Group 15 - 2-Row Row-Crop
- Group 20 - 3-Row Row-Crop
- Group 25 - Multi-Luber Repair (3-Row Only)
- Group 30 - 4-Row Row-Crop

SECTION 50 - 483 AND 484 STALKERS

- Group 05 - General Information
- Group 10 - Diagnosing Malfunctions
- Group 15 - Multi-Luber Repair
- Group 20 - Row Units
- Group 25 - Auger
- Group 30 - Cutting Components

SECTION 60 - SPECIAL TOOLS

- Group 05 - Purchased Tools
- Group 10 - Fabricated Tools

All information, illustrations and specifications contained in this technical manual are based on the latest information available at the time of publication. The right is reserved to make changes at any time without notice.

COPYRIGHT © 1983
DEERE & COMPANY
Moline, Illinois
All rights reserved
A JOHN DEERE ILLUSTRATION

INTRODUCTION

This technical manual is part of a twin concept of service:

FOS Manuals — for reference

Technical Manuals — for actual service

The two kinds of manuals work as a team to give you both the general background and technical details of shop service.

Fundamentals of Service (FOS) Manuals cover basic theory of operation, *fundamentals* of trouble shooting, *general* maintenance, and *basic* types of failures and their causes. FOS Manuals are for training new people and for reference by experienced technicians.

Technical Manuals are *concise* service guides for a *specific* machine. Technical Manuals are on-the-job guides containing only the vital information needed by an experienced technician.



1983-10-10-28000000

FEATURES OF THIS TECHNICAL MANUAL

- John Deere ILLUSTRATION format emphasizing more detailed pictures and fewer words.
- Instructions and illustrations grouped together in easy-to-use modules.
- Removal and installation groups preceding some repair groups. These groups show how to remove and install components from the machine rather than from major components. They also show how to acquire access to major components of a machine.
- *Exploded views showing parts relationship.*

This technical manual was planned and written for you — an experienced technician. Keep it in a permanent binder in the shop where it is handy. Refer to it whenever in doubt about correct service procedures or specifications.

Using the technical manual as a guide will reduce error and costly delay. It will also assure you the best in finished service work.



1983-10-10-28000000

SAFETY MESSAGES



This safety alert symbol and the word **CAUTION** identify important safety messages in this manual and on the machine. When you see this symbol, be alert to the possibility of personal injury and carefully read the message that follows.

U10/010INT/C/090683

NOTES

The word *NOTE* is followed by a statement that identifies a qualification or exception to a previous statement. A "NOTE" may also identify nice-to-know information pertinent to, but not directly related to the previous statement.

U10/010INT/E/090683

OBSERVE SAFETY RULES



CAUTION: This safety alert symbol identifies important safety messages in this manual and on the machine. When you see this symbol, be alert to the possibility of personal injury and carefully read the message that follows.

Avoid loose clothing that can catch in moving parts and put you out of work.

Wear your safety glasses while on the job.

Avoid working on equipment with the engine running. If it is necessary to make checks with the engine running, ALWAYS USE TWO PEOPLE — with the operator, at the controls, able to see the person doing the checking. Also, place the transmission in neutral and set the brake. KEEP HANDS AWAY FROM MOVING PARTS.

Keep transmission and brake control units properly adjusted at all times. Before making adjustments, stop engine.

Before removing any housing covers, stop engine. Take all objects from your pockets which could fall into the opened housings. Don't let adjusting wrenches fall into opened housings.

Don't attempt to check belt tension while the engine is running.

Don't adjust the fuel system while the machine is in motion.



T27999/0000/B/090683

SERVICE TIRES SAFELY



CAUTION: Failure to follow proper procedures when mounting a tire on a wheel or rim can produce an explosion which may result in serious injury or death. Do not attempt to mount a tire unless you have the proper equipment and experience to perform the job.

When sealing tire beads on rims, never exceed 240 kPa (2.4 bar) (35 psi) or maximum inflation pressures specified by tire manufacturers for mounting tires. Inflation beyond this maximum pressure may break the bead, or even the rim, with dangerous explosive force. If both beads are not seated when the maximum recommended pressure is reached, deflate, reposition tire, relubricate bead, and reinflate.

Detailed agricultural tire mounting instructions, including necessary safety precautions, are contained in John Deere Fundamentals of Service (FOS) Manual 55. Such information is also available from the Rubber Manufacturers Association and from tire manufacturers.

0000/D/090683

USE ADEQUATE SERVICE FACILITIES

Keep the service area clean and dry. Wet or oily floors are slippery. Wet spots can be dangerous when working with electrical equipment.

Make sure the service area is adequately vented.

Periodically check the shop exhaust system for leakage. Engine exhaust gas is dangerous.

Be sure electrical outlets and tools are properly grounded.

Use adequate light for the job at hand.

Service the machine on a level, hard-surfaced area.

Use lifting equipment and safety stands which have adequate strength for the job being performed.

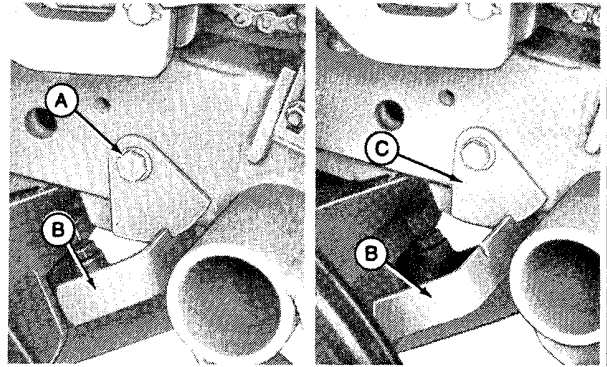
0000/D/090683

Introduction

ALWAYS engage the lift cylinder stop to the locked (A) position when working on or under the pull-type harvester with the harvesting unit in the raised position.

Always return lever (B) to the unlocked (C) position before operating.

If attached to self-propelled, lower support stands to the ground and pin to prevent accidental lowering of unit. Disengage power and make sure all moving parts have stopped before servicing machine.

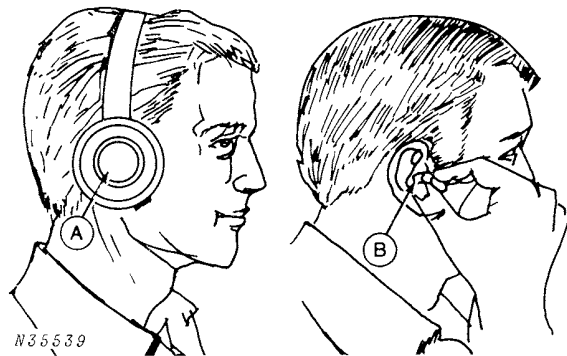


E22736/E22737/0000/E/090683

PROTECT AGAINST NOISE

Prolonged exposure to loud noise can cause impairment or loss of hearing.

Wear a suitable hearing protective device such as ear-muffs (A) or earplugs (B) to protect against objectionable or uncomfortable loud noises.



N35539

N35539/0000/L/090683

DO NOT MODIFY MACHINE

Unauthorized modifications to the machine may impair the function and/or safety and affect machine life.

1005/J/090683

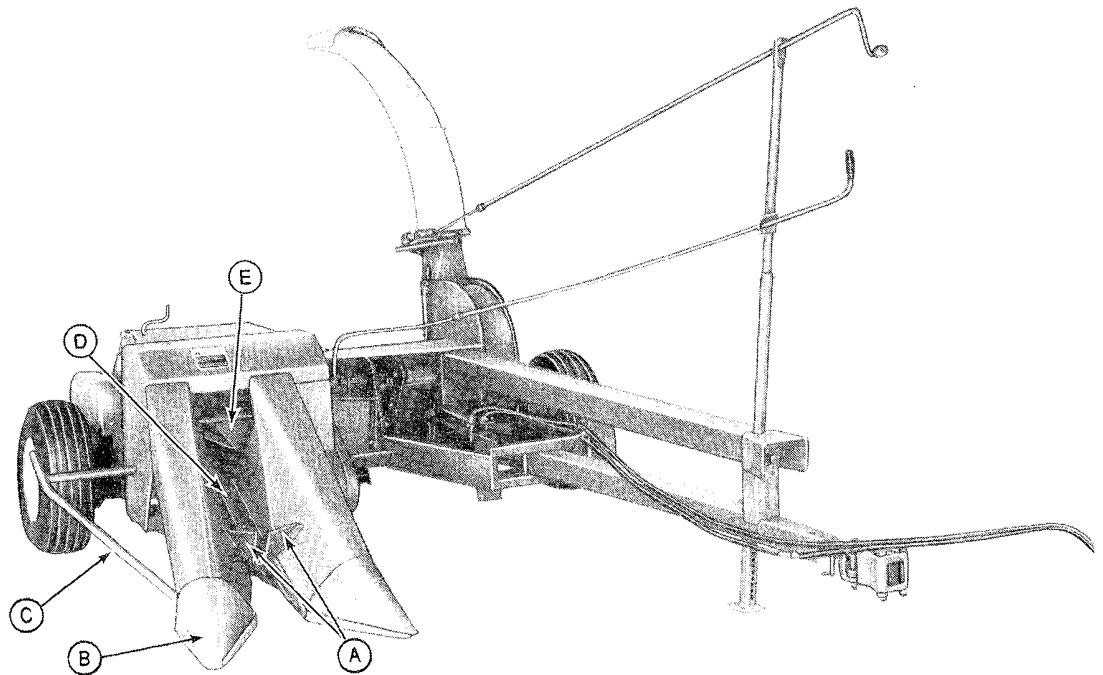
Section 10 EAR CORN UNITS

CONTENTS

	Page	Page
GROUP 05 - GENERAL INFORMATION	10-05-01	
GROUP 10 - DIAGNOSING MALFUNCTIONS	10-10-01	
GROUP 15 - POWER TRAIN		
Special Tools	10-15-01	
Fabricated Tools	10-15-01	
Specifications	10-15-02	
Torques	10-15-02	
Remove Row Unit Frame	10-15-03	
Inspect Row Unit Frame	10-15-06	
Assemble Row Unit Frame	10-15-07	
Remove Stalk Rolls	10-15-07	
Inspect Stalk Rolls	10-15-08	
Install Stalk Rolls	10-15-08	
Remove Gear Case	10-15-09	
Disassemble Gear Case	10-15-10	
Inspect Gear Case Components	10-15-12	
Remove Countershaft Bushings	10-15-13	
Install Countershaft Bushing	10-15-13	
Replace Bearings and Bushings	10-15-14	
Remove Gatherer Drive Shaft Bushing and Seal	10-15-14	
Remove Input Shaft Needle Bearings and Seals	10-15-14	
Install Input Shaft Needle Bearings and Seals	10-15-15	
Remove Gatherer Cap Bushings	10-15-16	
Replace Idler Gear Needle Bearings	10-15-17	
Assemble Gear Case	10-15-18	
Install Expansion Plugs	10-15-20	
		Disassemble Barrel Assembly 10-15-24 Inspect Barrel Assembly 10-15-24 Repair Barrel Assembly 10-15-25 Attach Barrel Assembly To Gear Case 10-15-26 Install Gear Case 10-15-29 Inspect Slip Clutch 10-15-30 Assemble Slip Clutch 10-15-30 Adjust Gatherer Points 10-15-31 Adjust Slip Clutch 10-15-31 Adjust Trash Knives 10-15-32 Adjust Stalk Rolls 10-15-32 Adjust Deck Plates and Gatherer Chain Guides 10-15-33 Adjust Gatherer Chain Tension 10-15-34 Adjust Feeder Drive Chain 10-15-34
		GROUP 20 - CORN HEAD ATTACHING PARTS Disassemble and Assemble Corn Head Attaching Parts 10-20-01

*000/G/090883

Contents



E13153

A—Ear Savers

B—Gatherer Point

C—Crop Divider

D—Gatherer Chain

E—Feeder

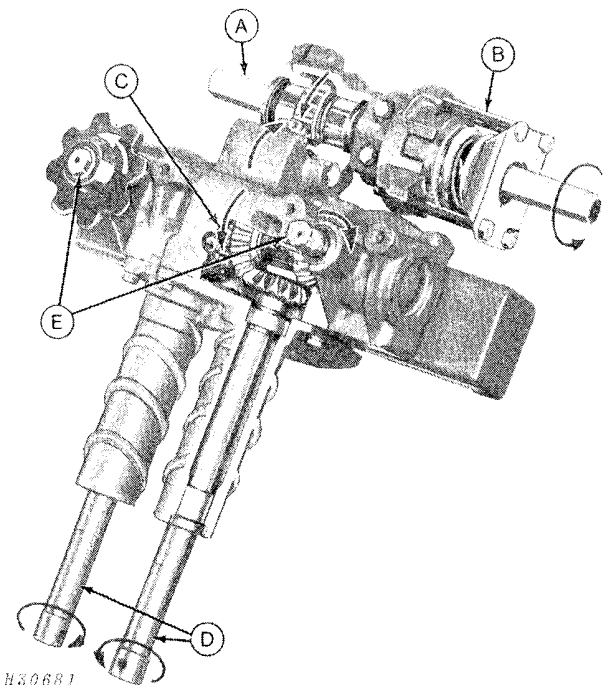
The snapper roll unit is the same design as the 40 Series Corn Head.

The row unit is driven by its own gear-type drive. The drive is in a fully enclosed case located under the row unit.

A row unit input shaft (A) is driven from the feed roll drive case of machine. This shaft drives the slip clutch (B) which in turn drives the input gear located in the gear case.

This input gear drives an idler spur gear, which drives the main countershaft (C). The main countershaft has two sets of bevel gears. The inner set, which consists of two bevel gears welded to the driving spur gear, drives the stalk roll shafts (D). The outer set of bevel gears drive the gatherer shaft (E).

A slip clutch (B), located on the input shaft at the upper end of the gear case helps protect the gear case.



H30681

Cutaway View of Gear Case

- A—Input Shaft
- B—Slip Clutch
- C—Main Countershaft
- D—Stalk Roll Shafts
- E—Gatherer Shafts

E13153/H30681/0057/09063

General Information

LUBRICATION

Carefully written and illustrated lubrication instructions are included in the operator's manual furnished with your customer's ear corn unit. Remind the customer to follow these instructions.

For your convenience, the following chart shows capacities and types of lubricants for the One Row Ear Corn Unit. Specifications for lubricants follow the chart.

Component	Capacity	Type of Lubricant	Interval of Service
Roller Chains	—	John Deere PT 508 Special Lubricant or SAE 30 engine oil	Daily
Gears	—	John Deere Multi-Purpose Lubricant or an equivalent SAE multi-purpose-type grease.	Every 50 Hours
Gear Case	1.62L (56 oz)	John Deere Gear Case Lubricant or an equivalent type "0" (zero) extreme pressure lubricant.	Every 50 Hours

GREASES

John Deere Multi-Purpose Lubricant or an equivalent SAE multipurpose-type grease is recommended for the gears. Application of grease as instructed in the lubrication chart will provide proper lubrication and will prevent contamination of bearings.

STORING LUBRICANTS

The One Row Ear Corn Unit can operate efficiently only if clean lubricants are used. Use clean containers to handle all lubricants. Store them in an area protected from dust, moisture, and other contaminants.

1005/U/090683

Group 10
DIAGNOSING MALFUNCTIONS

Problem	Cause	Remedy	Group Reference
Loss Of Ear Corn In The Field	Gatherer points set too high.	Adjust gatherer points to just touching the ground. When picking low hanging ears, raise front tip of gatherer points and run ear corn unit with the skids close to the ground.	15
	Ground speed too fast or too slow.	Operate at a speed to meet field and ground conditions. Excessive ground speed can cause ears to fall off the stalks ahead of the gatherer chains. Too slow ground speed can cause the ears to slide forward out of the unit. Operate at a speed where the gatherer chains merely help guide the stalks into the rolls.	—
Ears Sliding Out Through Throat	Ear savers not properly adjusted.	Adjust ear savers. See operator's manual.	
Pulling Up Cornstalks	Deck plates set too close together.	Spread deck plates, a little at a time, until stalks feed through rolls more freely.	15
	Traveling too fast for gatherer chain speed.	Slow down to meet crop conditions or increase row unit drive speed.	—
	Improper harvester drive sprocket.	Check for 42 tooth on 35 and 38 Harvesters and 30 tooth on 3800 Harvesters. Use the 17 tooth on 3940 and 3950 machines.	—
	Gatherer chain lugs digging into cornstalk roots.	Lower gatherer points.	15
	Corn extremely dry or down.	Remove ear savers.	—
	Worn stalk rolls.	Replace rolls.	15
Barrel Assembly Leaking Grease	Defective seal under stalk roll.	Replace seals.	15
	Defective bearing.	Replace bearings, check seals.	15

1010/DT/090683

Diagnosing Malfunctions

Problem	Cause	Remedy	Group Reference
Plugging	Stalks breaking in stalk rolls or deck plates.	Adjust the opening of deck plates.	15
	Trash winds around stalk rolls.	Set trash knives closer to stalk rolls.	15
	Loose gatherer chains.	Adjust gatherer chains.	15
	Material catching on sheet metal.	Check for broken or bent sheet metal that may prevent flow of material.	—
	Ground speed too fast, causing too much material to go into unit too fast.	Slow down. Operate at a speed to meet the yield and ground conditions. Faster speeds will cause plugging.	—
	Corn stalks plugging in gatherer throat opening.	Remove ear savers.	—
	Worn stalk rolls.	Replace rolls.	15
Stalk Rolls Clashing	Stalk roll shafts not properly timed.	Remove and re-time shafts.	15
	Stalk rolls striking trash knives.	Adjust knives to proper clearance.	15
Gear Case Noisy	Lack of lubricant.	Fill to correct level. Check for leakage. See operator's manual.	—
	Gears not meshing properly.	Check backlash.	15
	Excessive backlash.	Adjust backlash of gears.	15
	Binding of gears.	Refer to "Assemble Gear Case".	15
Gear Case or Barrel Assembly Excessively Hot	Seal failure causing loss of grease.	Replace seals.	15
	Lack of lubricant.	Fill to correct level. Check for breakage. See operator's manual.	—
	Binding of gears.	Check for correct assembly.	15
	Defective bearings or bushings.	Replace bearings or bushings.	15
	Improperly installed bearing caps.	Refer to "Assemble Gear Case".	—
	Dirt packed in stalk roll and on barrel.	Keep dirt and chaff removed around stalk rolls.	—

1010/DU/090683

SPECIAL TOOLS

The following tools, or their equivalents, are recommended when performing this job. For increased efficiency, gather the tools before beginning the job.

NOTE: See Section 60 for additional information.

Number	Name	Use
D-01243 AA	Puller	To remove bearing from stalk roll shaft.
JDC-400-1	Seal Installer	To install gatherer shaft seals.
JDC-400-2	Plug Installer	To install expansion plugs.
JDC-400-3	Spacer	To install gatherer drive shaft bushings.
JDC-400-4	Spacer	To install input shaft needle bearing.
JDC-400-5	Seal Installer	To install barrel seals.
JDC-400-6	Seal Driver	To install input shaft seal.
JDC-400-7	Handle	Used with the various drivers and spacers.
JDC-400-8	Spacer	To install barrel bearings.
JDC-400-10	Stalk Roll Timing Tool	To set correct timing of stalk rolls.
D-01045 AA	Master Bushing and Seal Drive Set	Some of the drivers in this set are required for use with the JDC-400 series tools.
D-01046 AA	Tool Organizer Board	Keeps D-01045 AA set components in proper order and safe from loss. Tools not included.

1015/E/090683

FABRICATED TOOLS

The following tools can be made for ease in repairing the following component. Specifications for making the tools can be located in Section 60.

Name	Use
Gear Case Support Bracket	To hold the gear case firmly in a vise.
Dowel Studs	To help install the barrel assembly on the gear case.
Stalk Roll Timing Tool	Can be used if JDC-400-10 is not available.

1015/F/090683

Power Train

SPECIFICATIONS

Item	Measurement	Specification
Gear Case	Capacity	1.62 kg (56 oz.) John Deere Corn-Head Lube or equivalent
Slip Clutch	Coil-to-Coil	71 mm (2 13/16-in)
Trash Knife to highest flute on stalk roll	Clearance	1.5 mm (1/16-in)
Gear Case Input Shaft	End Play	0.13 mm to 0.38 mm (0.005 to 0.015-in)
Gear Case Input Shaft	Backlash	0.13 mm (0.005-in) min.
Gatherer Drive Shafts	Backlash	0.20 to 0.36 mm (0.008 to 0.014-in)
Stalk Roll Shafts	Backlash	0.20 to 0.36 mm (0.008 to 0.014-in)
Gatherer Cap Gaskets	Thickness	0.18 to 0.25 mm (0.007 to 0.010-in)
Barrel Assembly Gaskets	Thickness	0.18 to 0.25 mm (0.007 to 0.010-in)
Deck Plate	Clearance	3 mm (1/8-in) wider at rear than front

1015/G/000683

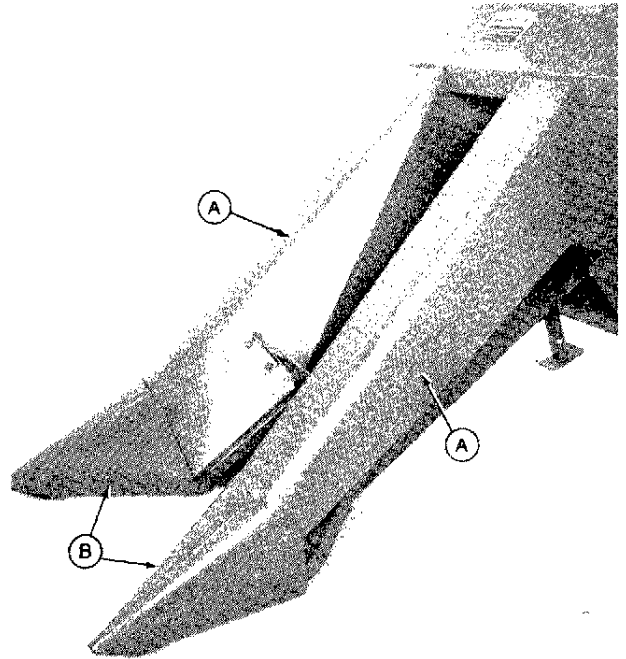
TORQUES

Item	Torque
Countersunk Head Cap Screws (by gatherer chain sprockets)	110 N·m (80 lb-ft)
Gatherer Chain Guide Cap Screws	115 N·m (85 lb-ft)
Trash Knife Cap Screws	115 N·m (85 lb-ft)
Stalk Roll to Shaft "F" Grade Cap Screws	150 N·m (110 lb-ft)

1015/H/000683

REMOVE ROW UNIT FRAME

1. Remove fender (A) and gatherer point (B) to completely expose the row unit.



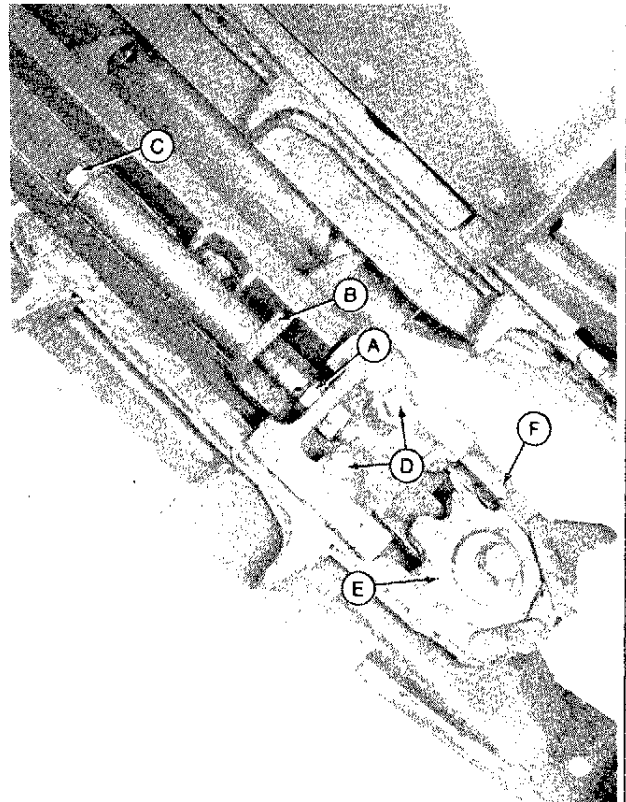
E 12749 1915-1090633



CAUTION: Never service any part of the gatherer chain mechanism or idler sprocket until nut (A) is tight against the leg of the idler support strap.

2. Relieve gatherer chain tension by turning nut (A) until it is against the leg of the idler support strap (B).
3. Loosen bolt (C), until tension is off gatherer chain.
4. Remove bolts (D). This will allow the idler sprocket (E) to move back so the gatherer chain (F), can be removed.

NOTE: If idler sprocket will not slide back, remove entire idler assembly and clean idler support strap and the slot in the idler support bracket.

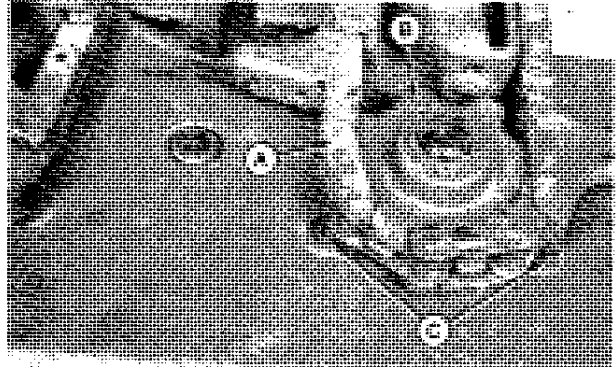


- A—Nut
- B—Leg of Idler Support Strap
- C—Bolt
- D—Bolt
- E—Idler Sprocket
- F—Gatherer Chain

E 12749 1915-1090633

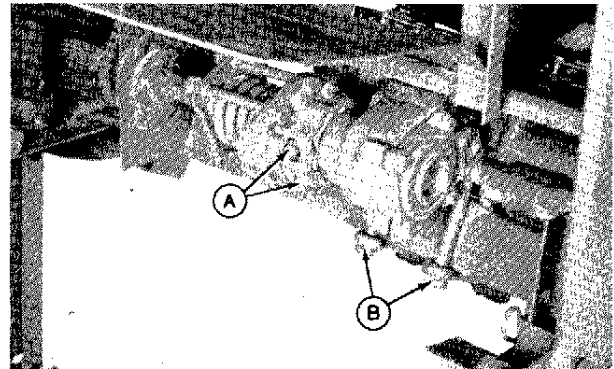
Power Train

5. Remove gatherer chain (A).
6. Remove snap ring and drive sprocket (B).
7. Remove two allen head screws (C).



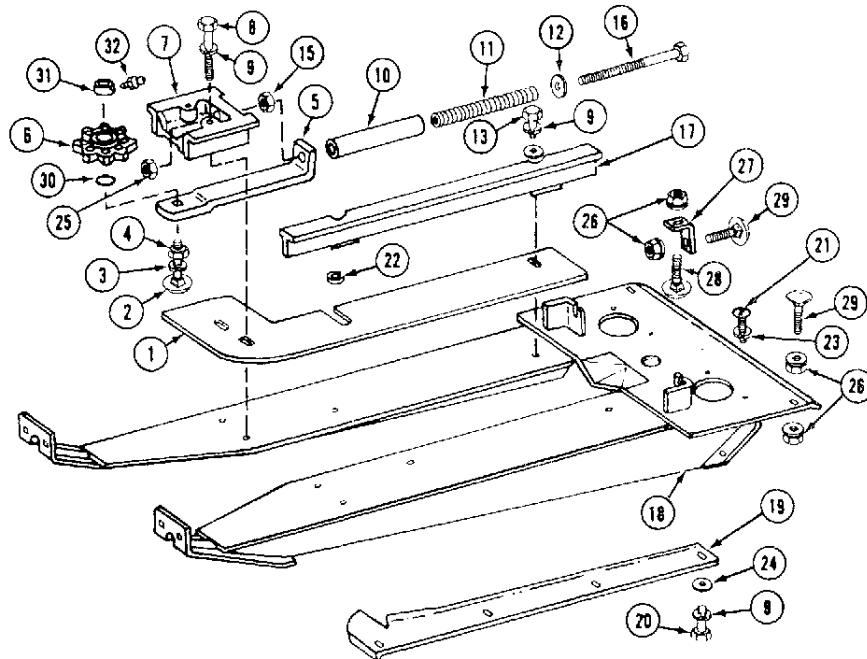
E227511015/K090683

8. Loosen two 3/8-in. cap screws (A) and slide slip clutch on drive shaft.
9. Remove two eyebolt nuts (B) and 5/8-in. cap screws holding gear case.
10. Remove gear case and row unit.



E2275211015/L090683

Power Train



- | | | | |
|-------------------------------------|-------------------------|--------------------------|---------------------------------|
| 1—Plate (2 used) | 8—Cap Screw (4 used) | 17—Guide (2 used) | 24—Washer (8 used) |
| 2—Bolt (2 used) | 9—Lock Washer (16 used) | 18—Frame | 25—Nut (2 used) |
| 3—Lock Washer (2 used) | 10—Bushing (2 used) | 19—Knife | 26—Lock Nut (8 used) |
| 4—Nut (2 used) | 11—Spring (2 used) | 20—Cap Screw (8 used) | 27—Clip (2 used) |
| 5—Strap (2 used) | 12—Washer (2 used) | 21—Socket Screw (4 used) | 28—Bolt (2 used) |
| 6—Chain Sprocket (8-Tooth) (2 used) | 13—Cap Screw (4 used) | 22—Washer (2 used) | 29—Bolt (4 used) |
| 7—Support (2 used) | 14—Washer (4 used) | 23—Lock Washer (4 used) | 30—O-Ring (588191) |
| | 15—Nut (2 used) | | 31—Washer (588191) |
| | 16—Cap Screw (2 used) | | 32—Lubrication Fitting (588181) |

11. Refer to illustration and remove idler sprocket (6), idler support (7), idler support strap (5), idler stop (10), spring (11), flat washer (12), and machine bolt (16).

12. Remove the two cap screws (13), lock washers (9), and flat washers (14), attaching chain guide (17) to row units frame (18). Remove deck plate (1).