

**9400, 9500, SideHill
9500 and 9600
MAXIMIZER® Combines
Diagnostics and Repair**
Supplement to TM1401 (13SEP94)
and TM1402 (07OCT94)



JOHN DEERE

TECHNICAL MANUAL

9400, 9500, SideHill 9500 and 9600 MAXIMIZER®
Combines Diagnostics and Repair
Supplement to
TM1401 (13SEP94) and TM1402 (07OCT94)
TM1402S (26MAY95) English

FOR COMPLETE SERVICE INFORMATION ALSO SEE:

6359 ENGINE.....	CTM4
6068 ENGINE.....	CTM8
6076 ENGINE (-499999).....	CTM6
6076 ENGINE (500000-).....	CTM42
CAM LOBE MOTORS.....	CTM19
ALTERNATORS AND STARTING MOTORS.....	CTM77
9400, 9500, 9600 MAXIMIZER COMBINE - REPAIR.....	TM1401
- DIAGNOSIS AND TEST.....	TM1402
200 AND 900 SERIES CUTTING PLATFORMS 40 AND 90 SERIES CORN HEADS	
50 AND 50A SERIES ROW CROP HEADS.....	TM1581

**John Deere Harvester Works
TM1402S (26MAY95)**

LITHO IN U.S.A.
ENGLISH



Introduction

FOREWORD

This manual is written for an experienced technician. Essential tools required in performing certain service work are identified in this manual and are recommended for use.

Live with safety: Read the safety messages in the introduction of this manual and the cautions presented throughout the text of the manual.



This is the safety-alert symbol. When you see this symbol on the machine or in this manual, be alert to the potential for personal injury.

Technical manuals are divided in two parts: repair and operation and tests. Repair sections tell how to repair the components. Operation and tests sections help you identify the majority of routine failures quickly.

Information is organized in groups for the various components requiring service instruction. At the beginning of each group are summary listings of all applicable essential tools, service equipment and tools, other materials needed to do the job, service parts kits, specifications, wear tolerances, and torque values.

Technical Manuals are concise guides for specific machines. They are on-the-job guides containing only the vital information needed for diagnosis, analysis, testing, and repair.

Fundamental service information is available from other sources covering basic theory of operation, fundamentals of troubleshooting, general maintenance, and basic type of failures and their causes.

JOHN DEERE DEALERS

IMPORTANT: Please remove this page and route through your service department.

This is a supplement to TM1401 (13SEP94) and TM1402 (07OCT94). Please file this supplement with TM1401 and TM1402. You may order additional copies of this supplement from DSC. Refer to TM1581 (03OCT94) for Header Repair Information.

This supplement contains the latest diagnostic and repair information available for:

- Hydrostatic System
- Hydraulic Valve Stack
- Dial-A-Matic Diagnostics
- CONTOUR MASTER™ Feeder House Repair
- CONTOUR MASTER™ Feeder House, Operation and Test Diagnostics
- TYPE C Bosch Engine Control Diagnostics
- Seat Air Suspension Repair
- Engine Control Unit (Injector Pump)

This information will be included in the next revision to TM1401 and TM1402.

Introduction

Contents

SECTION 10—GENERAL

Group 05—Safety

SECTION 50—POWER TRAIN REPAIR

Group 20—Hydrostatic System

SECTION 70—HYDRAULIC REPAIR

Group 05—Hydraulic Solenoid Control Valve Stack

SECTION 90—OPERATOR STATION REPAIR

Group 20—Cab

SECTION 110—CONTOUR MASTER FEEDER HOUSE REPAIR

Group 05—Platform Driveshafts
Group 10—Tilt Cylinder
Group 15—Tilt Frame
Group 25—CONTOUR MASTER Feederhouse

SECTION 120—SEPARATOR

Group 25—Shoe Supply Augers, Cleaning Fan, Chaffer and Sieve Frame

SECTION 130—GRAIN TANK AND UNLOADING SYSTEM REPAIR

Group 25—Upper Clean Grain Elevator

SECTION 240—OPERATION AND TESTS ELECTRICAL DIAGNOSTICS

Group 5F—Engine Control Unit (Inj. Pump) System Identification
Group 5K—Bosch Engine Control Diagnostics—Type C
Group 5U—Concave Position Adjust Diagnostics
Group 5BO—Combine Data Center Diagnostics
Group 5AK—Dial-A-Matic Diagnostics
Group 5AL—Dial-A-Matic Diagnostics—Type A
Group 5AM—Dial-A-Matic Diagnostics—Type B
Group 5AN—Dial-A-Matic Diagnostics—Type C

Group 5AO—CONTOUR MASTER Tilt Control System Identification

Group 5AP—CONTOUR MASTER Type A Diagnostics

Group 5AQ—CONTOUR MASTER Type B Diagnostics

Index

All information, illustrations and specifications in this manual are based on the latest information available at the time of publication. The right is reserved to make changes at any time without notice.

TM1402S-19-26MAY95

COPYRIGHT® 1995
DEERE & COMPANY
Moline, Illinois
All rights reserved
A John Deere ILLUSTRATION® Manual
Previous Editions
Copyright® 1994 Deere & Company

Contents

10

50

70

90

110

120

130

240

INDX

Section 10 GENERAL

10

Contents

Page

Group 05—Safety 10-05-1

Contents

RECOGNIZE SAFETY INFORMATION

This is the safety-alert symbol. When you see this symbol on your machine or in this manual, be alert to the potential for personal injury.

Follow recommended precautions and safe operating practices.



DX,ALERT -19-03MAR93

10
05
1
TS1889 JUN-07DEC88

UNDERSTAND SIGNAL WORDS

A signal word—DANGER, WARNING, or CAUTION—is used with the safety-alert symbol. DANGER identifies the most serious hazards.

DANGER or WARNING safety signs are located near specific hazards. General precautions are listed on CAUTION safety signs. CAUTION also calls attention to safety messages in this manual.



DX,SIGNAL -19-03MAR93

TS187 -19-30SEP88

LIVE WITH SAFETY

Before returning machine to customer, make sure machine is functioning properly, especially the safety systems. Install all guards and shields.



DX,LIVE -19-25SEP92

TS231 -19-07OCT88

Safety

10
05
2

Section 50 POWER TRAIN REPAIR

Contents

Page

Group 20—Hydrostatic System

Remove and Install CONTOUR MASTER

Hydrostatic Drive Lever 50-20-2

Armrest Control Panel 50-20-3

Hydro-Handle Rocker Switch

Replacement 50-20-8

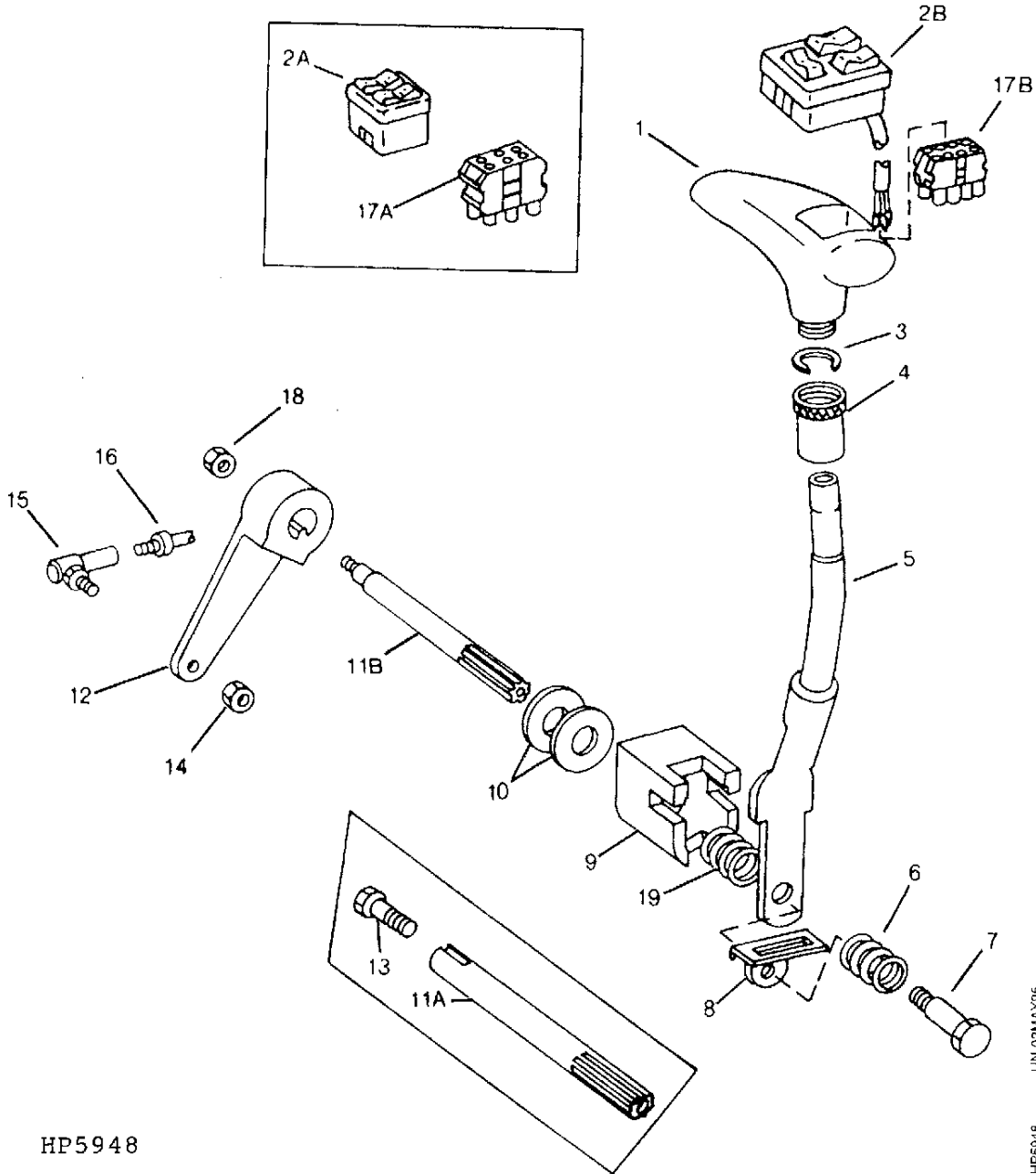
Install New Switch and Harness

Assembly 50-20-10

Contents

50

REMOVE AND INSTALL CONTOUR MASTER HYDROSTATIC DRIVE LEVER, CABLE AND SWITCH LOCATION DRAWING



HP5948

HP5948 -UN-02MAY95

1402S,5020,A -19-26MAY95

Hydrostatic System/Armrest Control Panel

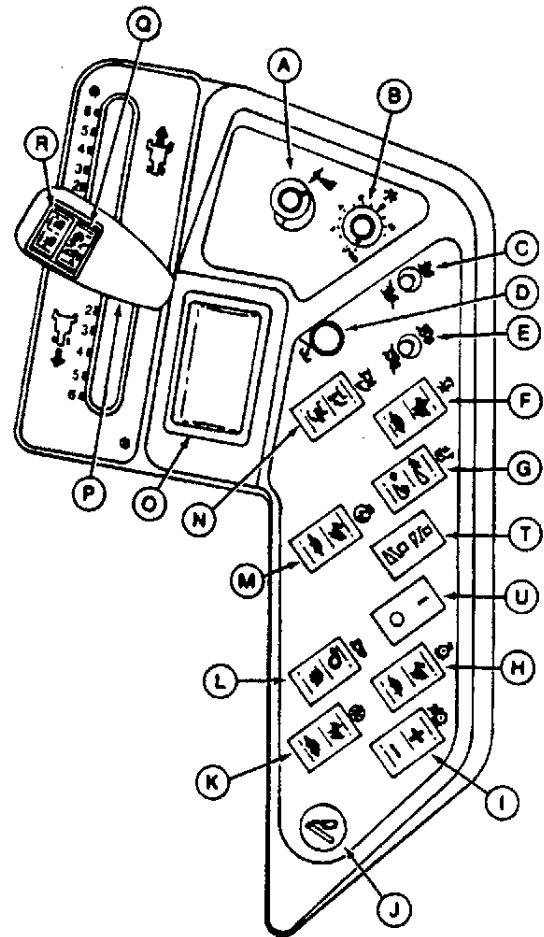
- | | | | |
|----------------------|-----------------------------------------|----------------------|-----------------------------|
| 1—Knob | 7—Screw, M8 x 49 | 11B—Shaft (640201—) | 17A—Connector
(—660200) |
| 2A—Switch (—643087) | 8—Retainer | 12—Arm | 17B—Connector
(660201—) |
| 2B—Switch (660201—) | 9—Base | 13—Screw, M8 x 20 | 18—Nut, M10 |
| 3—Ring, Snap | 10—Washer, 21/32 x
1-1/2 x 0.060 in. | 14—Nut, Lock, M6 | 19—Spring |
| 4—Lock | 11A—Shaft (—640200) | 15—Joint, Ball | |
| 5—Lever | | 16—Cable | |
| 6—Spring (2 used) | | | |

Legend for Hydrostatic Drive Lever

1402S,5020,B -19-26MAY95

ARMREST CONTROL PANEL
(—660200)

- A—DIAL-A-MATIC™ (Optional)
- B—DIAL-A-SPEED™ (Optional)
- C—Header Engage
- D—Unloading Auger Engage
- E—Separator Engage
- F—Manual Reel Speed
- G—Reel Fore-and-Aft (Optional)
- H—Cylinder Speed
- I—Concave Spacing
- J—Lighter
- K—Cleaning Fan Speed
- L—Four-Wheel Drive (Optional)
- M—Engine Speed
- N—Unloading Auger Swing
- O—Ash Tray
- P—Hydrostatic Drive Control Lever
- Q—Reel Lift/Feederhouse Speed
- R—Header Lift
- T—Manual Tilt Control
SideHill 9500
- U—Auto Leveling System
On/Off, SideHill 9500



H43549

H43549 -19-11JUN91

1402S,5020,C -19-26MAY95