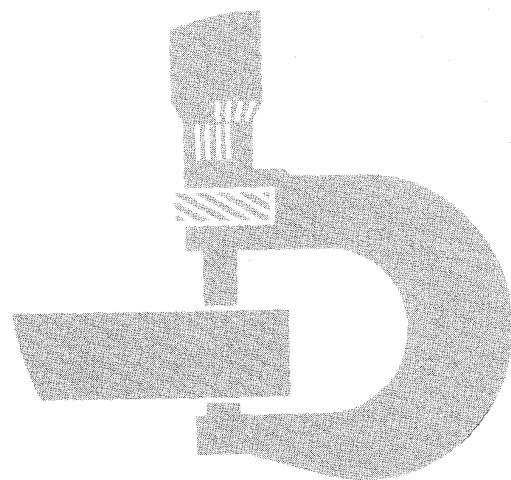


**John Deere  
860-B  
Scraper**



**Technical Manual**

## SECTION AND GROUP CONTENTS OF THIS MANUAL

### SECTION I - GENERAL INFORMATION

- GROUP I - Contents, Index and Page List
- GROUP II - Introduction and Safety Information
- GROUP III - General Specifications
- GROUP IV - Predelivery, Delivery and After-Sale Services
- GROUP V - Lubrication

### SECTION 1 - WHEELS

- GROUP 0110 - Powered Wheels and Fastenings
- GROUP 0120 - Non-Powered Wheels and Fastenings
- GROUP 0199 - Specifications and Special Tools

### SECTION 2 - AXLES AND SUSPENSION SYSTEM

- GROUP 0201 - Drive Axle Housing and Support
- GROUP 0210 - Differential or Bevel Drive
- GROUP 0225 - Input Drive Shafts and U-joints
- GROUP 0230 - Non-Powered Wheel Axles
- GROUP 0250 - Axle Shaft, Bearings, Reduction Gears
- GROUP 0299 - Specifications and Special Tools

### SECTION 3 - TRANSMISSION

- GROUP 0325 - Input Drive Shafts and U-joints
- GROUP 0341 - Housings and Covers
- GROUP 0350 - Gears, Shafts, Bearings and Power Shift Clutch
- GROUP 0360 - Hydraulic System
- GROUP 0399 - Specifications and Special Tools

### SECTION 4 - ENGINE

- GROUP 0400 - Engine Removal and Installation
- GROUP 0401 - Crankshaft and Main Bearings
- GROUP 0402 - Camshaft and Valve Actuating Means
- GROUP 0403 - Connecting Rods and Pistons
- GROUP 0404 - Cylinder Block
- GROUP 0407 - Oiling System
- GROUP 0408 - Ventilating System
- GROUP 0409 - Cylinder Head and Valves
- GROUP 0410 - Exhaust Manifold
- GROUP 0413 - Fuel Injection System
- GROUP 0414 - Intake Manifold
- GROUP 0416 - Turbocharger
- GROUP 0417 - Water Pump
- GROUP 0418 - Thermostats, Housing and Water Piping
- GROUP 0419 - Oil Cooler
- GROUP 0420 - Fuel Filter
- GROUP 0421 - Fuel Transfer Pump
- GROUP 0422 - Starting System

### SECTION 4 - ENGINE (Continued)

- GROUP 0423 - Alternator and Generator Mounting
- GROUP 0429 - Fan Drive
- GROUP 0433 - Flywheel, Housing and Fastenings
- GROUP 0499 - Specifications and Special Tools

### SECTION 5 - ENGINE AUXILIARY SYSTEMS

- GROUP 0505 - Cold Weather Starting Aids
- GROUP 0510 - Cooling Systems
- GROUP 0515 - Speed Controls
- GROUP 0520 - Intake System
- GROUP 0530 - External Exhaust Systems
- GROUP 0540 - Mounting Frame
- GROUP 0560 - External Fuel Supply Systems
- GROUP 0599 - Specifications and Special Tools

### SECTION 6 - TORQUE CONVERTER

- GROUP 0641 - Housing and Cover
- GROUP 0651 - Turbines, Gears, Shafts, Etc.
- GROUP 0660 - Hydraulic System
- GROUP 0699 - Specifications and Special Tools

### SECTION 9 - STEERING SYSTEM

- GROUP 0960 - Hydraulic System
- GROUP 0999 - Specifications and Special Tools

### SECTION 10 - SERVICE BRAKES

- GROUP 1011 - Active Elements
- GROUP 1015 - Controls Linkage
- GROUP 1060 - Hydraulic System
- GROUP 1099 - Specifications and Special Tools

### SECTION 11 - PARKING-EMERGENCY BRAKES

- GROUP 1111 - Active Elements
- GROUP 1115 - Controls Linkage
- GROUP 1199 - Specifications and Special Tools

### SECTION 16 - ELECTRICAL SYSTEM

- GROUP 1671 - Batteries, Supports and Cables
- GROUP 1672 - Alternator, Regulator and Charging System Wiring
- GROUP 1673 - Lighting System
- GROUP 1674 - Wiring Harness and Switches
- GROUP 1675 - System Controls
- GROUP 1676 - Instruments and Indicators
- GROUP 1699 - Specifications and Special Tools

### SECTION 17 - FRAME, CHASSIS OR SUPPORTING STRUCTURE

- GROUP 1740 - Frame Installation
- GROUP 1746 - Frame Bottom Guards
- GROUP 1799 - Specifications and Special Tools

## SECTION AND GROUP CONTENTS OF THIS MANUAL (Continued)

### SECTION 18 - OPERATOR'S STATION

- GROUP 1810 - Operator Enclosure
- GROUP 1821 - Seat and Seat Belt
- GROUP 1830 - Heating and Air Conditioning
- GROUP 1899 - Specifications and Special Tools

### SECTION 19 - SHEET METAL AND STYLING

- GROUP 1910 - Hood or Engine Enclosure
- GROUP 1913 - Miscellaneous Shields
- GROUP 1921 - Grille and Grille Housing
- GROUP 1927 - Fenders

### SECTION 20 - SAFETY, CONVENIENCE AND MISCELLANEOUS

- GROUP 2004 - Horn
- GROUP 2006 - Cigar Lighter

### SECTION 21 - MAIN HYDRAULIC SYSTEM

- GROUP 2160 - Hydraulic System
- GROUP 2199 - Specifications and Special Tools

### SECTION 35 - SCRAPER AND HAULAGE DEVICE

- GROUP 3501 - Blades or Cutting Edges
- GROUP 3515 - Controls Linkage
- GROUP 3540 - Frames
- GROUP 3560 - Hydraulic System
- GROUP 3599 - Specifications and Special Tools

### SECTION 36 - CONVEYOR AND ELEVATING DEVICE

- GROUP 3612 - Conveyor or Mast
- GROUP 3640 - Conveyor and Elevating Device Frame
- GROUP 3650 - Gear Box
- GROUP 3660 - Hydraulic System
- GROUP 3699 - Specifications and Special Tools


### SECTION 90 - SYSTEM TESTING

- GROUP 9005 - General Information - Seven Basic Steps of Testing and Diagnosis
- GROUP 9010 - Engine
- GROUP 9015 - Electrical
- GROUP 9020 - Power Train
- GROUP 9025 - Hydraulic System (Flow Meter)
- GROUP 9030 - Miscellaneous Components
- GROUP 9031 - Heating and Air Conditioning
- GROUP 9035 - Specifications and Special Tools

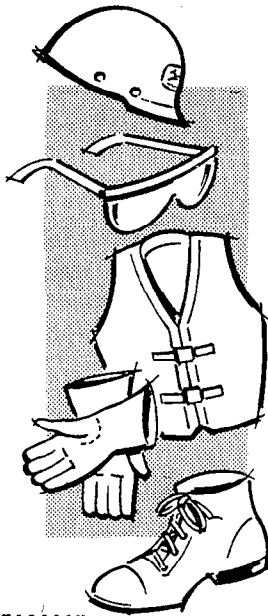
## MAINTENANCE WITHOUT ACCIDENT WORK SAFELY



T27999N

 This safety symbol is used for important safety messages. When you see this symbol, follow the safety message to avoid personal injury.

**EVERY EMPLOYER HAS A SAFETY PROGRAM. KNOW WHAT IT IS!**



T27501N

See your shop supervisor for specific instructions on a job, and the safety equipment required.

For instance, you may need: Hard hat, safety shoes, safety goggles, heavy gloves, reflector vests, ear protectors, respirator.

RIGHT

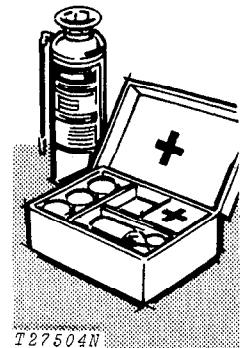


WRONG

T27502N

### BE ALERT!

Plan ahead — work safely — know how to use a first aid kit and a fire extinguisher — and where to get assistance.



T27504N

### Maintenance Area

Make sure the maintenance area has enough ventilation.

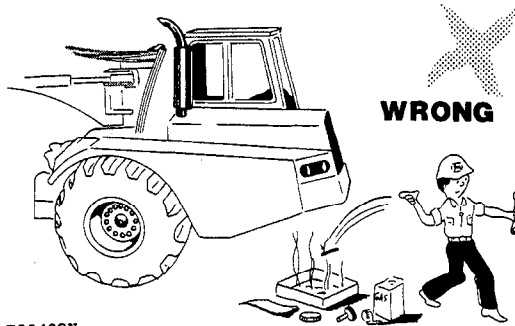
Keep the maintenance area CLEAN AND DRY. Oily and wet floors are slippery. Greasy rags are a fire hazard. Wet spots are dangerous when working with electrical equipment.

Keep starting aids in a cool, well-ventilated place, out of reach of unauthorized personnel.

## MAINTENANCE WITHOUT ACCIDENT

### AVOID FIRE HAZARDS

#### Fuel Is Dangerous!



T55487N

Do not smoke while putting fuel in the fuel tank.

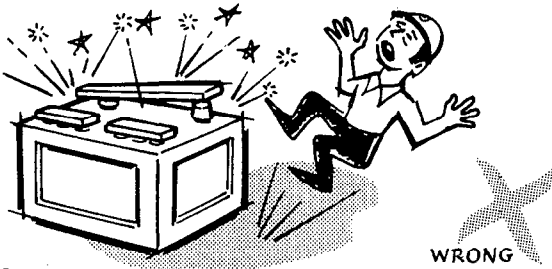
Do not smoke while working with material that will start on fire easily.

Stop the engine before filling the fuel tank.

Do not use gasoline or diesel fuel for cleaning parts. Use solvents that will not start on fire.

#### Battery Gas Is Highly Flammable!

When charging batteries, be sure there is enough ventilation.



T27506N

Do not check the battery charge by putting metal objects across the posts.

Do not let sparks or open flame near batteries.

Do not smoke near battery.

#### Flame Is Not a Flashlight!

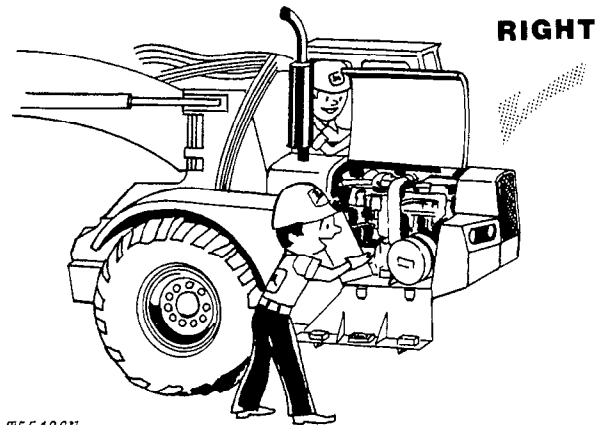
**NEVER USE OPEN FLAME AROUND THE MACHINE.**

**KNOW WHERE FIRE EXTINGUISHERS ARE KEPT!**

### UNDER ALL MAINTENANCE CONDITIONS

Do not work on the equipment unless you are approved to do so. Then be sure you know the safe and correct procedure.

Never work on equipment while it is being operated.



T55488N

When the engine is running, avoid working on equipment.

If you must work on the machine with the engine running, ALWAYS USE TWO service technicians. One must be at the controls. The other must be within sight of the operator.

#### KEEP HANDS AWAY FROM MOVING PARTS

Put a support under all raised equipment.

Never work under a raised bowl.

Lower the bowl to the ground.

If the machine is on a slope, use blocks to hold it in place.

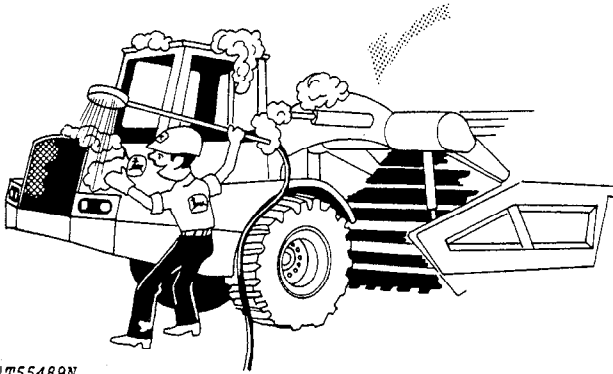
Do not lift heavy parts by yourself. Use hoisting equipment for this.

#### TAKE CARE! WATCH OUT FOR OTHER PEOPLE IN THE AREA

When drilling, grinding, or hammering metal, wear safety glasses.

## BE CAREFUL DURING SERVICE AND REPAIR

**RIGHT**



T55489N

Keep ALL equipment free of dirt and oil.

Clean oil, grease, mud, ice or snow from the operator's station, steps and hand rails.

When getting the engine ready for storage, remember that inhibitor changes easily into gas and is dangerous. After adding the inhibitor, seal and tape openings. When you are not using the inhibitor, keep the can tightly closed.

Do not remove the radiator cap unless you can hold your hand on the radiator tank. First, loosen the cap slowly to the stop. Then release all pressure in the cooling system before removing the cap.

Check the exhaust system regularly for leaks.

Release hydraulic pressure before working on the hydraulic system. Stop the engine. Lower the bowl to the ground. Move the control levers until the bowl does not move.

When checking hydraulic pressure, be sure to use the correct test gauge.

Before working on the fuel system, close the fuel shutoff valve.

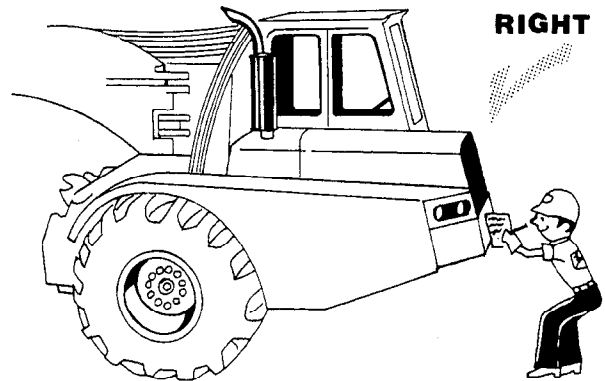
Before working on the electrical system, or making a major overhaul, disconnect the batteries.

## KNOW EQUIPMENT IS READY!

Check all guards, shields, and safety bars. Every one must be in place and tight.

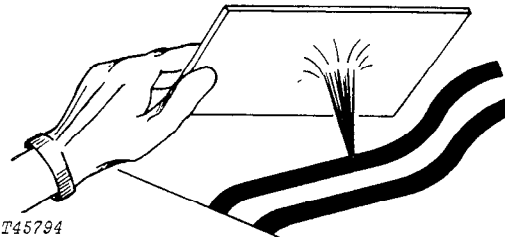
### CHECK IT OUT!

- GUARDS
- SHIELDS
- SAFETY BARS
- ROLL-OVER PROTECTIVE STRUCTURES
- SEAT BELTS, ETC.



T55789N

Carefully inspect all systems for leaks.



T45794

Use a piece of cardboard or wood, rather than hands, to search for suspected leaks.

Escaping fluid under pressure can penetrate the skin.

If injured by escaping fluid, see a doctor at once.

## Group III

# GENERAL SPECIFICATIONS

(Specifications and design subject to change without notice. Wherever applicable, specifications are in accordance with ICED and SAE Standards. Except where otherwise noted, these specifications are based on a unit equipped with 26.5-25, 24 ply rating tires and standard equipment.)

**Capacity (SAE heaped):**

Volume ..... 15 cu. yd. (11.47 m<sup>3</sup>)  
 Total weight of payload @ 2500 lb./yd.<sup>3</sup>  
 (1483 kg/m<sup>3</sup>) ..... 37,500 lb. (17 010 kg)

**Power (@ 2100 engine rpm):**      **SAE**   **DIN**  
 Gross ..... 240 hp (179 kW\*)  
 Net ..... 225 hp (168 kW)      228 PS

*Net engine flywheel power is for an engine equipped with fan, air cleaner, water pump, lubricating oil pump, fuel pump, alternator, and muffler. Gross engine power is without fan. Flywheel power ratings are under SAE standard conditions of 500 ft. altitude and 85°F. temperature and DIN 70 020 standard conditions of 760 mm Hg barometer (sea level) and 20°C temperature. Engine maintains rated horsepower up to 6000 feet (1 829 m) altitude.*

*\*In the International System of Units (SI), power is expressed in kilowatts (kW).*

**Engine:** John Deere turbocharged and intercooled diesel, 6-cylinder, 4-stroke cycle  
 Bore and stroke ..... 5.12x5 in. (130x127 mm)  
 Piston displacement ..... 619 cu. in. (10 144 cm<sup>3</sup>)  
 Compression ratio ..... 15.2 to 1  
 Maximum torque @  
 1400 rpm ..... 724 lb-ft (982 Nm) (100 kg-m)  
 NACC or AMA (U.S. Tax) horsepower ..... 62.9  
 Main bearings ..... 7  
 Lubrication ..... Pressure system w/full-flow filter  
 Cooling ..... Pressurized w/thermostat and fixed bypass  
 Fan ..... Suction  
 Air cleaner w/restriction indicator ..... Dry  
 Electrical system ..... 24 volt w/alternator  
 Batteries (two 12 volt) ..... Reserve capacity:  
 310 minutes

**Transmission:**

Two-phase, single-stage torque converter with free-wheeling stator lockup clutch and Power Shift transmission (5 speeds forward - 1 reverse). Stall ratio is 2.56 to 1.

**Differential Lock** ..... Foot-operated, hydraulically actuated

**Drive Axle** .. Differential drive; over-all ratio 22.22 to 1; planetary final drives

**Brakes:** Hydraulic, power actuated. Two accumulators provide several brake applications after engine is stopped.

Tractor ..... Wet-disk between differential and planetaries. No adjustment needed.

Scraper... Expanding shoe self-adjusting in wheels.

Parking..... Manually controlled, mechanical, on axle input shaft.

**Power Steering:** Position-responsive  
 Articulated frame hydraulically actuated by dual cylinders.

Turning circle  
 (180 deg. turn) ..... 32 ft. 5.4 in. (9.89 m)

Articulation ..... 180 deg.

**Tractor Oscillation (total)** ..... 50 deg.

**Hydraulic System:** Open-center  
 System Pressure ..... 2000 psi (137.9 bar) (140.6 kg/cm<sup>2</sup>) for brakes and differential lock; 2250 psi (155.1 bar) (158.2 kg/cm<sup>2</sup>) for elevator and steering.

**Pumps (@ 2050 pump rpm):**  
 Steering ..... 34 gpm (129 L/min)  
 Brakes, differential, and differential lock ..... 4.5 gpm (17 L/min)  
 Elevator and bowl ..... 85 gpm (322 L/min)

Hydraulic Cylinders:	Bore	Stroke
Lift (2).....	5 in. (127 mm)	20 in. (508 mm)
Sliding floor (1)	5.25 in. (133 mm)	38.8 in. (986 mm)
Ejector gate (2) ...	3 in. (76 mm)	44.5 in. (1.13 m)
Steering (2) .....	4 in. (102 mm)	25.6 in. (650 mm)
Piston rods ... Ground, heat-treated, chrome-plated, polished		
Lift and steering cylinders .....	2 in. (51 mm) dia.	
Sliding floor cylinder .....	2.5 in. (64 mm) dia.	
Ejector gate cylinders .....	1.75 in. (44 mm) dia.	

**Elevator** ... Heavy duty reversible, hydraulic pump-driven w/planetary gears and live driveshaft.  
 Number of flights ..... 23  
 Spacing of flights ..... 12.52 in. (318 mm)  
 Width of flights ..... 6 ft. 6 in. (1.98 m)  
 Speed (@ 2100 engine rpm) .. 200 fpm (61 m/min)  
 Length (top to bottom) ..... 12 ft. (3.66 m)

**Bowl** ... Heavy-gauge steel with reinforcing and box construction. Sliding floor rides on heat-treated rails. Cutting edge retracts. Independent axles are vertically adjustable.

**Cutting Edge** ... 8 ft. 9.9 in. (2.69 m) wide; 3 sections, reversible and replaceable, high-carbon steel. Each section is adjustable vertically 2 in. (51 mm).  
 Center section ... 1x13x77.9 in. (25x330x1979 mm)  
 End sections ..... 1x13x14 in. (25x330x356 mm)

**Tires:**  
 26.5-25, steel-cord radials  
 26.5-25, 24 ply rating, E2

Capacities:	U.S.	Liters
Cooling system .....	11.5 gal.	43.5
Fuel tank .....	90 gal.	340.7
Engine lubrication, including filter .....	34 qt.	32.2
Transmission case and filter .....	12 gal.	45.4
Differential case, filter, and lines ...	15 gal.	56.8
Hydraulic reservoir .....	25 gal.	94.6
Elevator gear case .....	10 qt.	9.5

Weight Distribution:	lb.	kg
Empty: Drive axle .....	32,120	14 570
Scraper axle .....	15,720	7 130
Total .....	47,840	21 700
Loaded: Drive axle .....	44,110	20 010
Scraper axle .....	41,230	18 700
Total .....	85,340	38 710

**Additional Standard Equipment:**

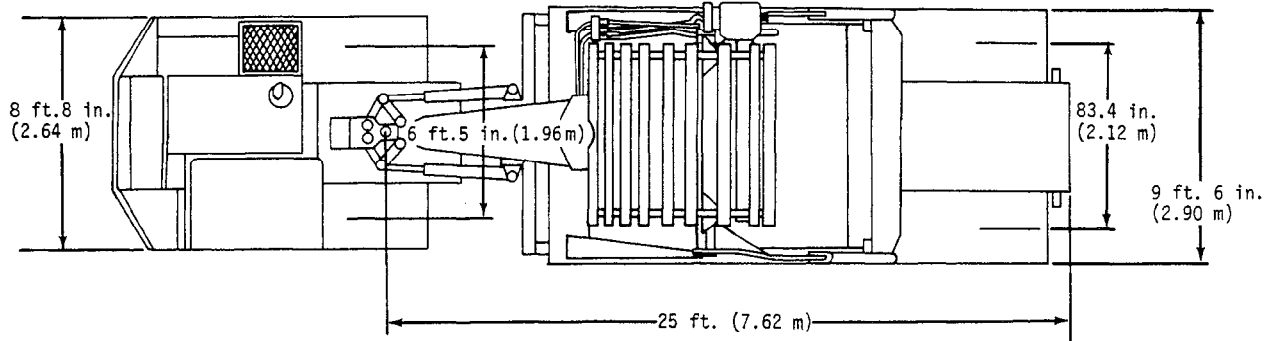
Tachometer	Engine oil pressure gauge
Hour meter	Engine water temperature gauge
Speedometer	Alternator indicator light
Suspension seat	Reverse warning alarm
Foot throttle	Low brake pressure warning system
Differential lock	Independent, adjustable scraper axles
Vandal protection	Parking brake warning light
Vertical muffler	Transmission pressure gauge
Fuel gauge	Transmission filter indicator
Fenders (tractor)	Converter temperature gauge
Cigar lighter	Windshield w/wiper
Horn	Heavy-duty elevator
Lights	Cold weather starting aid
Transmission bottom guard	Rear frame central lube system
Hydraulic oil filter indicator	Self-adjusting scraper brakes

**Special Equipment:**

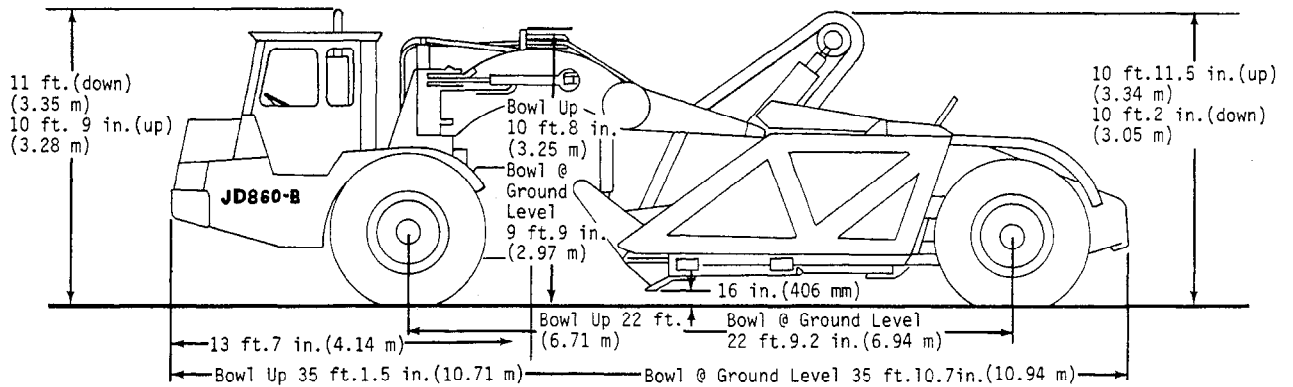
- Teeth for cutting edge
- Fenders and mud flaps for scraper wheels
- Lights (turn signal and flashing)
- ROPS cab or canopy and seat belt
- Quiet cab
- Air conditioner
- Cab panels



**JD860-B SCRAPER DIMENSIONS**



T66856N



T55484N

## Group IV PREDELIVERY, DELIVERY, AND AFTER-SALE SERVICES

### TEMPORARY STORAGE

After receiving your scraper from the factory and before putting the machine into temporary storage, make the following checks and services:

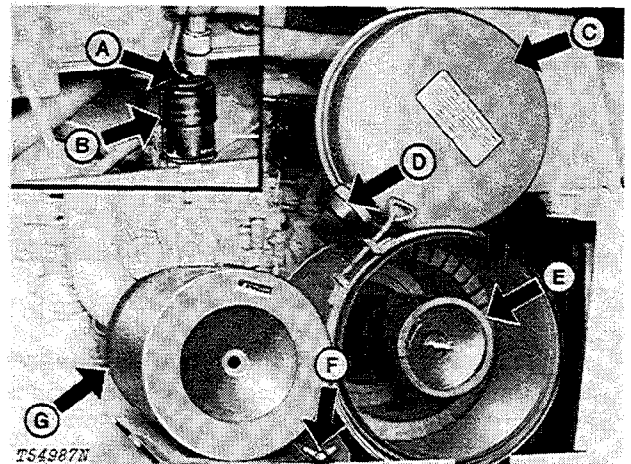
1. Check the battery electrolyte level. Charge the battery, if necessary.
2. Check the level of the coolant in the radiator. The coolant must be 1-1/2 in. (38 mm) below the filler neck.
3. Fill the fuel tank.
4. Check the crankcase oil level. Oil must be between marks on the dipstick after the engine has been stopped for 10 minutes.
5. Release hydraulic pressure by stopping the engine, lowering the bowl, and operating the control levers until the bowl does not move.

### PREDELIVERY SERVICE

The service technician must carefully check and service the machine before the dealer delivers it to the customer. When the customer receives a machine that is correctly prepared, the customer is well-satisfied. For these reasons, correct predelivery service is very important to the dealer and the customer.

Use the following list when getting a unit ready for delivery to the customer.

### 1. Air Cleaner



- |                         |                   |
|-------------------------|-------------------|
| A—Reset Button          | E—Safety Element  |
| B—Restriction Indicator | F—Wing Nut        |
| C—Filter Cover          | G—Primary Element |
| D—Unloading Valve       |                   |

Fig. 1-Air Cleaner Components

Check the restriction indicator (B). If the red signal can be fully seen, check the air intake system for a restriction.

Air cleaner checked	Yes	No
---------------------	-----	----

Please click here and go  
back to our website.

**BUY NOW**

Then Instant Download the  
Complete Manual.

Thank you very much!