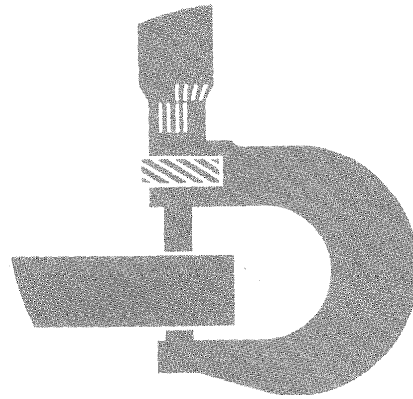


401D Tractor



TECHNICAL MANUAL

TM-1271 (OCT-84)
LITHO IN U.S.A.

401D TRACTOR TECHNICAL MANUAL TM-1271 (OCT-84)

SECTION AND GROUP CONTENTS

SECTION I - GENERAL INFORMATION

- Group I - Introduction and Safety Information
- Group II - General Specifications
- Group III - Torque Values
- Group IV - Fuels and Lubricants

SECTION 01 - WHEELS

- Group 0110 - Powered Wheels and Fastenings
- Group 0120 - Non-Powered Wheels and Fastenings
- Group 0149 - Weights

SECTION 02 - AXLES AND SUSPENSION SYSTEMS

- Group 0230 - Non-Powered Wheel Axles
- Group 0250 - Axle Shafts, Bearings and Reduction Gears

SECTION 03 - TRANSMISSION

- Group 0300 - Removal and Installation
- Group 0315 - Controls
- Group 0350 - Gears, Shafts, Bearings and Power Shift Clutch
- Group 0360 - Hydraulic System

SECTION 04 - ENGINE

- Group 0400 - Removal and Installation
- Group 0401 - Crankshaft and Main Bearings
- Group 0402 - Camshaft and Valve Actuating Means
- Group 0403 - Connecting Rods and Pistons
- Group 0404 - Cylinder Block

SECTION 04 - ENGINE - Continued

- Group 0407 - Oiling System
- Group 0409 - Cylinder Head and Valves
- Group 0413 - Fuel Injection System
- Group 0414 - Intake Manifold
- Group 0415 - Engine Balancer
- Group 0417 - Water Pump
- Group 0418 - Thermostats, Housing and Piping
- Group 0419 - Oil Cooler
- Group 0420 - Fuel Filter
- Group 0421 - Fuel Transfer Pump
- Group 0422 - Starting Motor and Fastenings
- Group 0433 - Flywheel, Housing and Fastenings

SECTION 05 - ENGINE AUXILIARY SYSTEMS

- Group 0505 - Cold Weather Starting Aids
- Group 0510 - Cooling Systems
- Group 0515 - Speed Controls
- Group 0520 - Intake System
- Group 0530 - External Exhaust Systems
- Group 0560 - External Fuel Supply Systems

SECTION 07 - TRACTION CLUTCH

- Group 0715 - Controls
- Group 0752 - Elements

SECTION 09 - STEERING SYSTEM

- Group 0960 - Hydraulic System

All information, illustrations and specifications contained in this technical manual are based on the latest information available at the time of publication. The right is reserved to make changes at any time without notice. Wherever applicable, specifications and design information are in accordance with SAE and ICED standards.

COPYRIGHT© 1984
DEERE & COMPANY
Moline, Illinois
All rights reserved
A JOHN DEERE ILLUSTRATION
Previous Copyright© 1983 Deere & Company

T64:0000 01 060584

SECTION AND GROUP CONTENTS - CONTINUED

SECTION 10 - SERVICE BRAKES

- Group 1011 - Active Elements
- Group 1060 - Hydraulic System

SECTION 11 - PARKING-EMERGENCY BRAKES

- Group 1111 - Active Elements
- Group 1115 - Controls Linkage

SECTION 15 - EQUIPMENT ATTACHING

- Group 1520 - Hitches and Hitch Pins

SECTION 16 - ELECTRICAL SYSTEMS

- Group 1671 - Batteries, Support and Cables
- Group 1672 - Alternator, Regulator and Charging-System Wiring
- Group 1673 - Lighting System
- Group 1674 - Wiring Harness and Switches
- Group 1676 - Instruments and Indicators

SECTION 18 - OPERATOR'S STATION

- Group 1800 - Removal and installation

SECTION 21 - MAIN HYDRAULIC SYSTEM

- Group 2160 - Hydraulic System

SECTION 31 - LOADER

- Group 3102 - Bucket (Including Teeth and Cutting Edge)
- Group 3115 - Controls Linkage
- Group 3140 - Frames
- Group 3160 - Loader Hydraulics

SECTION 33 - BACKHOE EXCAVATOR

- Group 3300 - Removal and Installation
- Group 3302 - Buckets, Teeth, Shanks and Sidecutters
- Group 3315 - Controls Linkage
- Group 3340 - Frames
- Group 3360 - Hydraulic System

SECTION 40 - PTO OR WINCH DRIVE

- Group 4015 - PTO Control
- Group 4051 - Gears, Shafts, and Bearings
- Group 4052 - PTO Clutch (If Separate)
- Group 4060 - Hydraulic System

SECTION 90 - SYSTEM TESTING

- Group 9005 - General Information - Seven Basic Steps of Diagnosis and Testing
- Group 9010 - Engine
- Group 9015 - Electrical System
- Group 9020 - Power Train
- Group 9025 - Hydraulic System

SECTION 99 - SPECIAL TOOLS

INDEX

UNDERSTAND MACHINE OPERATION

Only qualified people should operate the machine.

Learn the location and purpose of all controls, instruments, indicators, and labels.



63A:T88357 T82:TL5A A 191282

WEAR PROTECTIVE CLOTHING

Wear fairly tight clothing . . . and safety equipment.



88A:T85056 T82:EK5A B 100183

PROTECT AGAINST NOISE

Prolonged exposure to loud noise can cause impairment or loss of hearing. Wear a suitable hearing protective device such as earmuffs (A) or earplugs (B) to protect against objectionable or uncomfortable loud noise.

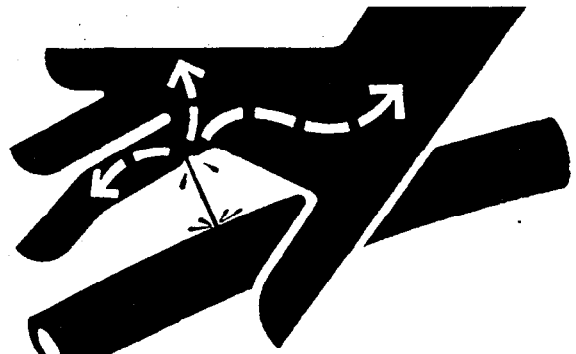


88A:X7662 T82:BH5A E 100183

AVOID HIGH-PRESSURE FLUIDS

Escaping fluid under pressure can penetrate the skin causing serious injury. Relieve pressure before disconnecting hydraulic or other lines. Tighten all connections before applying pressure. Keep hands and body away from pinholes and nozzles which eject fluids under high pressure. Use a piece of cardboard or paper to search for leaks. Do not use your hand.

If ANY fluid is injected into the skin, it must be surgically removed within a few hours by a doctor familiar with this type injury or gangrene may result.



88A:X9811 T82:BH5A F 100183

START ENGINE FROM OPERATOR'S SEAT ONLY

Avoid possible injury or death from machinery runaway.

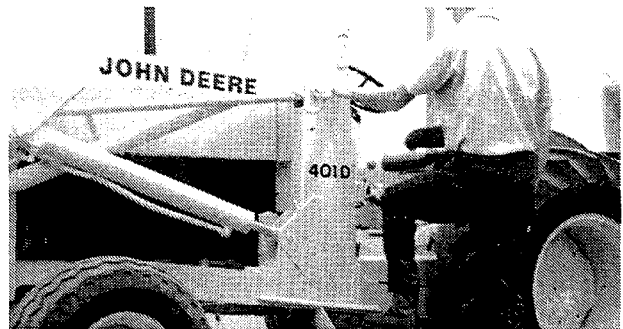
Do not start engine by shorting across starter terminals. Machine will start in gear and will move if normal circuitry is bypassed.

NEVER start engine while standing on ground. Start engine only from operator's seat, with transmission in neutral, reverser in neutral, and park brake applied.

T82;BHSA G 250882

USE HAND HOLDS AND STEPS

When you get on and off the machine, use handholds and steps.



63A;T88358 T82;TL5A B 191282

OPERATE MACHINE SAFELY

DO use your seat belt if your machine has a roll-over protective structure (ROPS).

DO NOT use your seat belt if your machine does not have a ROPS.



63A;T88360 T82;TL5A D 140382

Before you move any equipment, be sure all persons are away from the machine.

When the machine is operating, ONLY the operator should be on it.

Keep operating area level.

T82;CRSA F 210283

General Specifications

OPERATING INFORMATION

NON SELF-LEVELING LOADER

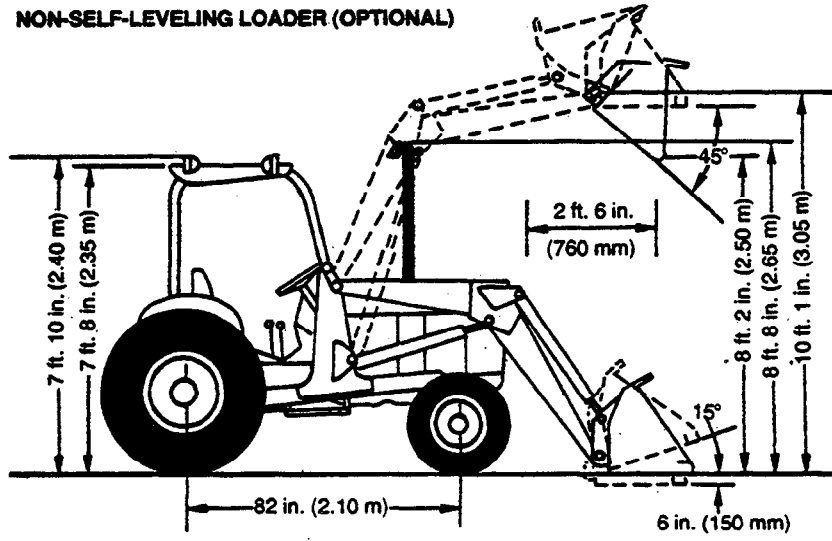
SELF-LEVELING LOADER

Buckets:		
Nominal heaped capacity	3/4 cu. yd. (0.57 m ³)	3/4 cu. yd. (0.57 m ³) 1. cu. yd. (0.76 m ³)
Width	81.1 in. (2.05 m)	81.1 in. (2.05 m)
Rollback at ground level	15 deg.	27 deg.
Breakout force	5500 lb. (24.5 kN) (2495 kg)	7900 lb. (35.1 kN) (3585 kg)
Digging depth below ground level (w/bucket level)	6 in. (150 mm)	6 in. (150 mm)
Lifting capacity, full height	3500 lb. (1590 kg)	4800 lb. (2180 kg)
Height to bucket hinge pin	10 ft. 1 in. (3.05 m)	10 ft. 1 in. (3.05 m)
Maximum dump angle	45 deg.	45 deg.
Clearance, bucket dumped @ 45 degrees	8 ft. 2 in. (2.50 m)	8 ft. 2 in. (2.50 m)
Reach at maximum height, bucket dumped @ 45 degrees	2 ft. 6 in. (760mm)	2 ft. 6 in. (760 mm)
Raising time to full height	3.2 sec.	3.8 sec.
Bucket dump time	2.0 sec.	1.5 sec.
Lowering time (power)	2.0 sec.	3.0 sec.
Float-down time	3.5 sec.	5.1 sec.
Minimum effective rear wheel counterweight required, except when used with backhoe	2350 lb. (1065 kg)	4450 lb. (2020 kg)

T82;TLSP B 300184

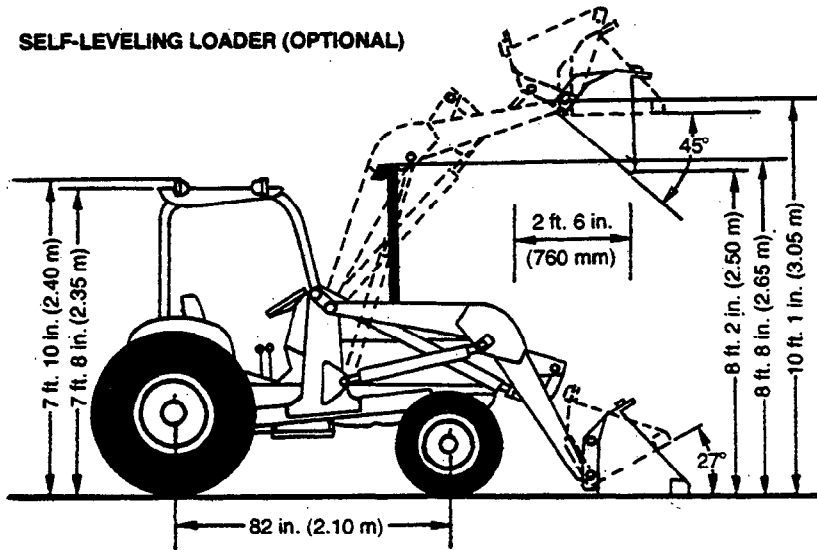
General Specifications

NON-SELF-LEVELING LOADER (OPTIONAL)



SAE Operating Weight 7930 lb. (3595 kg)

SELF-LEVELING LOADER (OPTIONAL)



SAE Operating Weight 8160 lb. (3700 kg)

63A;T96255, T96256 T82;TLSP D 300184

General Specifications

BACKHOE (9250B):

Digging depth (CED):

- Maximum 14 ft. 2 in. (4.30 m)
- 2-ft. (610 mm) flat bottom 14 ft. (4.25 m)
- 8-ft. (2.45 m) flat bottom 10 ft. 4 in. (3.15 m)

Swing arc 180 deg.

Lifting capacity:

To full height

- Boom 1300 lb. (590 kg)
- Dipperstick (boom holding) 2200 lb. (1000 kg)

To 10 ft. (3.05 m)

- Boom 1300 lb. (590 kg)
- Dipperstick (boom holding) 2800 lb. (1270 kg)

Digging force:

- Bucket cylinder in power-dig position 7500 lb. (32.9 kN) (3355 kg)
- Crowd cylinder 4100 lb. (18.2 kN) (1860 kg)

Reach:

- From center of swing mast 17 ft. 3 in. (5.25 m)
- From center of rear axle 20 ft. 4 in. (6.20 m)

Loading height (truck-loading position) 11 ft. 8 in. (3.55 m)

Transport height 11 ft. 2 in. (3.40 m)

Stabilizer Width:

- Transport position 6 ft. 8 in. (2.05 m)
- Operating position (overall) 9 ft. 8 in. (2.95 m)
- Operating position (ICED) 8 ft. 6 in. (2.60 m)

Attachments:

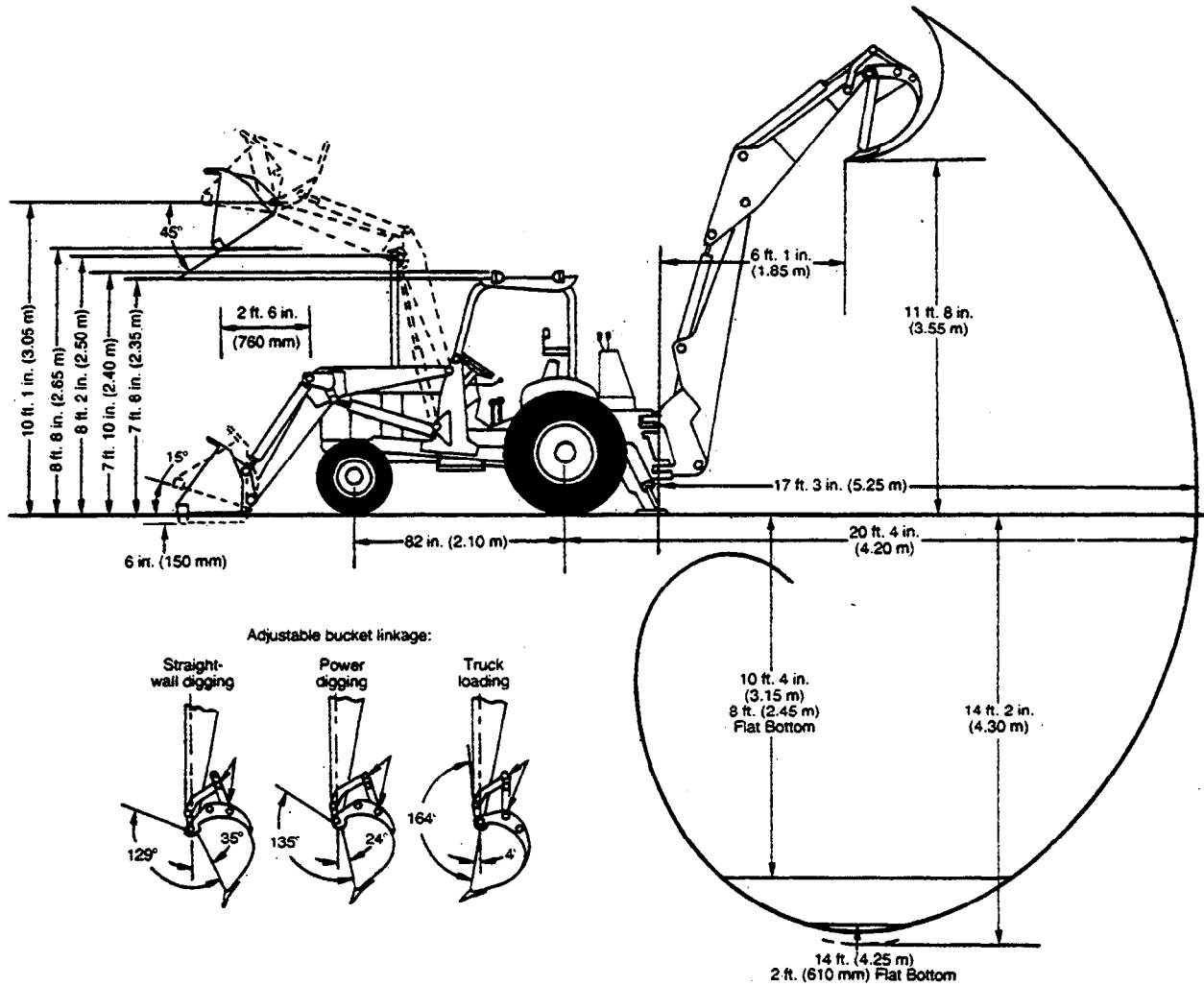
Ripper tooth replaces backhoe bucket. Cast steel; 225 lb.. (100 kg) tooth has hardened replaceable tip. Bolt-on rubber street pads for stabilizer pads.

BUCKETS

Loader:	Width		Struck Capacity Cu. Ft. (m ³)	Nominal Heaped Capacity Cu. Yd. (m ³)
	In.	(mm)		
Loader:	81.125	(2.06)		0.75 (0.57)
	81.125	(2.06)		1.0 (0.76)
Backhoe:	12	(305)	1.6 (0.05)	
	16	(406)	2.6 (0.07)	
	18	(457)	3.6 (0.10)	
	24	(610)	4.8 (0.14)	
	30	(762)	6.0 (0.17)	
Heavy-duty	36	(914)	7.2 (0.20)	
	18	(457)	3.6 (0.10)	
	24	(610)	4.8 (0.14)	
Cemetery Special	36	(914)	7.2 (0.20)	

T82;TLSP E 300184

General Specifications



Loader Backhoe

63A;T96257 T82;TLSP C 300184