

8450-8650 Tractors



TECHNICAL MANUAL 8450-8650 Tractors

TM1355 (01MAY86) English

TM1355 (01MAY86)

LITHO IN U.S.A.
ENGLISH



8450 - 8650 TRACTORS TECHNICAL MANUAL TM-1355 (DEC-85)

CONTENTS—REPAIR SECTIONS

PUBLICATION NUMBER CHANGE

This technical manual was formerly TM-1255. The number was changed to TM-1355 when engine information was removed. Some pages still carry the old publication number. For engine information, refer to engine component technical manual, CTM-1, 6466 Engines. This machine technical manual covers removal and installation of the engine components. The component manual covers basic repair of the engine.

SECTION 10—GENERAL

- Group 00—Specification and Special Tools
- Group 05—Predelivery, Delivery and After-Sale Services
- Group 10—Tune-up
- Group 15—Lubrication

SECTION 15—SEPARATION

- Group 00—Specifications and Special Tools
- Group 05—Front Drive
- Group 10—Fuel Tanks and Fenders
- Group 15—Front End
- Group 20—Front End and Engine From Clutch Housing
- Group 25—Engine
- Group 30—SOUND-GARD® Body
- Group 35—Front Hinge From Rear Hinge
- Group 40—Front Hinge
- Group 45—Clutch Housing
- Group 50—Rear Hinge
- Group 55—Torque Divider
- Group 60—Transmission
- Group 65—Final Drives

SECTION 20—ENGINE REPAIR

- Group 01—6619A Specifications and Special Tools

- Group 05—Acquire Access to Cylinder Head, Valves and Camshaft
- Group 11—6619A Cylinder Head, Valves and Camshaft
- Group 15—Acquire Access to Cylinder Block, Liners, Pistons and Rods
- Group 21—6619A Cylinder Block, Liners, Pistons and Rods
- Group 25—Acquire Access to Crankshaft, Main Bearings and Flywheel
- Group 31—6619A Crankshaft, Main Bearings and Flywheel
- Group 35—Acquire Access to Lubrication System
- Group 41—6619A Lubrication System
- Group 45—Acquire Access to Cooling System
- Group 51—6619A Cooling System

SECTION 30—FUEL AND AIR SYSTEM REPAIR

- Group 00—Specifications and Special Tools
- Group 05—Acquire Access to Air Intake System
- Group 10—Air Intake System
- Group 15—Acquire Access to Diesel Fuel System
- Group 20—Diesel Fuel System
- Group 25—Speed Control Linkage

SECTION 40—ELECTRICAL REPAIR

- Group 00—Specifications and Special Tools
- Group 05—Harness Replacement
- Group 06—Connector Repair
- Group 10—John Deere Charging Circuit
- Group 15—Starter Circuit Repair
- Group 20—John Deere Starter Repair
- Group 21—DELCO-REMY Starter Repair
- Group 25—Lighting Circuit
- Group 30—INVESTIGATOR II™ Warning System and Digital Tach. Repair
- Group 35—Accessory Circuits

All information, illustrations and specifications contained in this technical manual are based on the latest information available at the time of publication. The right is reserved to make changes at any time without notice.

COPYRIGHT © 1985
DEERE & COMPANY
Moline, Illinois
All rights reserved
A JOHN DEERE ILLUSTRATION
Previous Edition Copyright © 1982, 1984
DEERE & COMPANY

U10;010GEN AX1 281085

CONTENT—CONTINUED

SECTION 50—POWER TRAIN REPAIR

- Group 00—Specifications and Special Tools
- Group 05—Remove/Install Clutch Oil Pressure Valve Housing
- Group 10—Clutch Oil Pressure Regulating Valve Housing
- Group 15—Clutch Operating Piston Housing
- Group 20—PERMA CLUTCH™
- Group 25—QUAD-RANGE™ Planetary
- Group 30—Independent PTO
- Group 35—Torque Divider and Drive Shafts
- Group 40—QUAD-RANGE™ Transmission
- Group 45—Shift Lever Assembly
- Group 50—Front Differential
- Group 55—Rear Differential Housing
- Group 60—Differential Lock Valves
- Group 65—Final Drives
- Group 70—Transmission Oil Filter Relief Valve Housing
- Group 75—Transmission Oil Cooler and Thermal Relief Valve

SECTION 60—STEERING/BRAKES REPAIR

- Group 00—Specifications and Special Tools
- Group 05—Remove/Install Power Steering Components
- Group 10—Steering Column
- Group 15—Metering Pump
- Group 20—Steering Valve
- Group 25—Steering and Feedback Cylinders
- Group 30—Remove/Install Brake Valve and Brake Accumulator
- Group 35—Brake Valve
- Group 40—Brake Accumulator
- Group 45—Bleeding Brakes and Testing Brake Accumulator
- Group 50—Brake Pistons, Plates, and Disks

SECTION 70—HYDRAULIC REPAIR

- Group 00—Specifications and Special Tools
- Group 05—Charge Pump Assembly
- Group 10—Remove/Install Main Hydraulic Pump
- Group 15—Main Hydraulic Pump

- Group 20—Remove/Install Charge Circuit Valves and Attenuator
- Group 25—Charge Pump Control Valve
- Group 30—Hydraulic Filter Relief Valve Housing
- Group 35—Remove/Install HYDRA-CUSHIONED™ Seat Valve Assembly and Accumulator
- Group 40—Seat Valve Assembly
- Group 45—Remove and Install Pressure Control Valve
- Group 50—Pressure Control Valve
- Group 55—Remove/Install Rockshaft Components
- Group 60—Rockshaft Components
- Group 65—Lift Assist Cylinders
- Group 70—Draft Sensing Cylinders
- Group 75—Hitch Components
- Group 80—Remove/Install Selective Control Valves and Controls
- Group 85—Selective Control Valve and Coupler
- Group 90—Remote Cylinder
- Group 95—Transmission-Hydraulic System Clean-up Procedure

SECTION 80—MISCELLANEOUS REPAIR

- Group 00—Specifications and Special Tools
- Group 05—Wheels
- Group 10—Hinge Pins
- Group 15—Front Weight

SECTION 90—OPERATOR STATION REPAIR

- Group 00—Specifications and Special Tools
- Group 05—Air Conditioning System
- Group 06—Air Conditioning System Service
- Group 10—Heating System
- Group 15—HYDRACUSHIONED Seat
- Group 20—Miscellaneous Components

SECTION 95—MISCELLANEOUS OPTIONS

- Group 00—Specifications and Special Tools
- Group 40—Auxiliary Lighting
- Group 60—Auxiliary Steering System
- Group 61—Auxiliary Brake System
- Group 62—Auxiliary Trailer Brake
- Group 63—Miscellaneous Options

INTRODUCTION

This manual is part of a total service support program.

FOS Manuals—reference

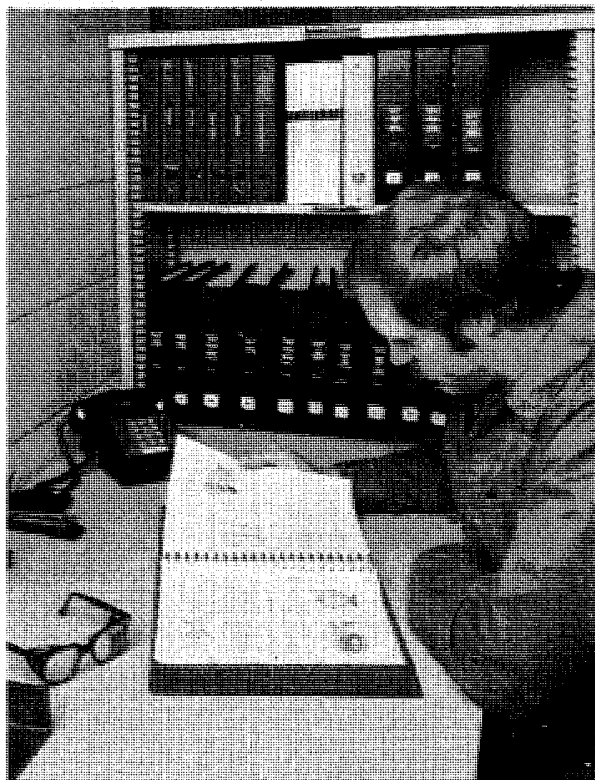
Technical Manuals—machine service

Component Manuals—component service

Fundamentals of Service (FOS) Manuals cover basic theory of operation, fundamentals of troubleshooting, general maintenance, and basic types of failures and their causes. FOS Manuals are for training new personnel and for reference by experienced technicians.

Technical Manuals are concise service guides for specific machines. Technical manuals are on-the-job guides containing only the vital information needed by an experienced service technician.

Component Technical Manuals are concise service guides for specific components. Component technical manuals are written as stand alone manuals covering multiple machine applications.



AB6;RW5559 053;INTRO2 030785

FEATURES OF THIS TECHNICAL MANUAL

John Deere ILLUSTRATION format emphasizing illustrations and concise instructions in easy-to-use modules.

Emphasis on diagnosis, analysis, and testing so you can understand the problem and correct it.

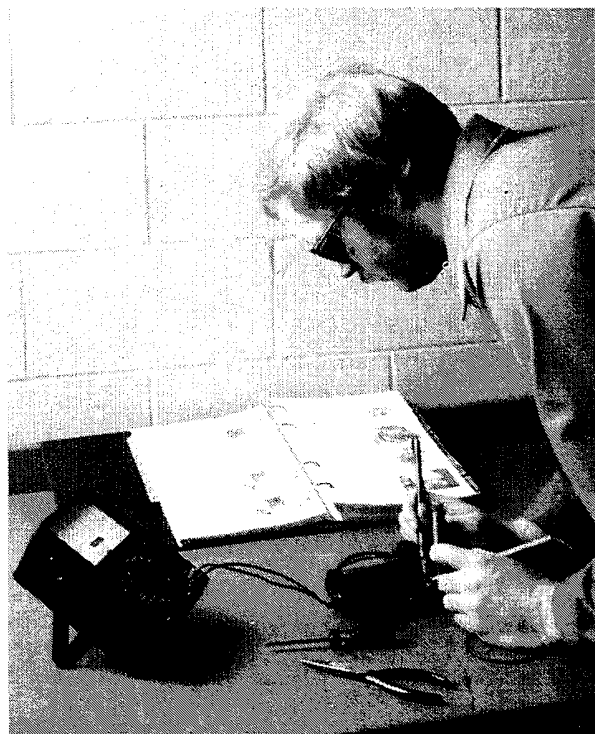
Diagnostic information presented with the most logical and easiest to isolate problems first to help you identify the majority of routine failures quickly.

Step-by-step instructions for teardown and assembly.

Summary listing at the beginning of each group of all applicable specifications, wear tolerances, torque values, essential tools, and materials needed to do the job.

An emphasis throughout on safety—so you do the job right without getting hurt.

This technical manual was planned and written for you—an experienced service technician. Keep it in a permanent binder in the shop where it is handy. Refer to it when you need to know correct service procedures or specifications.



AB6;RW5560 053;INTRO3 071085

SAFETY AND YOU

This is the safety-alert symbol. When you see this symbol on the machine or in this manual, be alert to the potential for personal injury .



AB6;T81389 053;TMSAFE 071085

IMPORTANT

The **IMPORTANT** message identifies potential problems which may cause consequential damage to tractor. Following recommended procedure will instruct technician how to avoid problem.

U10;0101NT D 101281

NOTES

The word *NOTE* is followed by a statement that identifies a qualification or exception to a previous statement. A "NOTE" may also identify nice-to-know information pertinent to, but not directly related to previous statement.

U10;0101NT E 101281

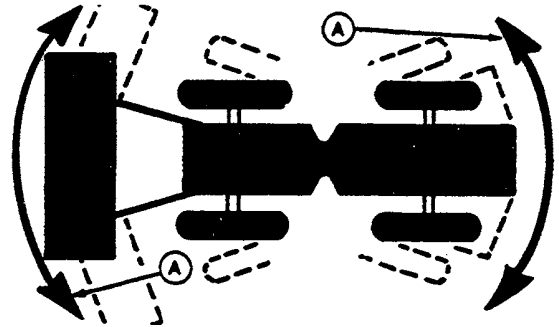
STAY CLEAR OF MOVING TRACTOR

Always place transmission in PARK before dismounting. Leaving transmission in gear with engine stopped will NOT prevent the tractor from moving.

Be sure everyone is clear of tractor and attached equipment before starting engine or moving steering wheel. Tractor and equipment move (A), even with transmission in PARK. Some steering movement often occurs as engine starts.

Never try to get on or off a moving tractor.

When tractor is left unattended, lower implements to the ground, stop the engine, and remove the key.



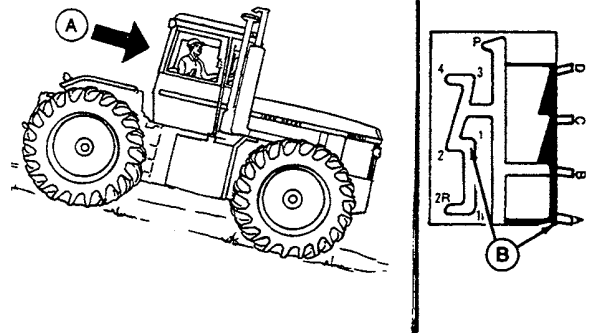
AJ7;RW8078 U01;STAY CLEAR1 281085

SHIFT TO LOW GEAR ON HILLS

Shift to a low gear (B) before descending a steep hill (A), to improve your control of the tractor with little or no braking. Never coast downhill.

When driving on icy or graveled surfaces, reduce speed and be sure tractor is properly ballasted to avoid skidding and loss of steering control.

Additional ballast may be needed for transporting heavy integral implements. When implement is raised, drive slowly over rough ground, regardless of how much ballast is used.



AJ7;RW4421 U01;DRIVE SAFE 281085

KEEP RIDERS OFF MACHINE

Only allow the operator on the machine. Keep riders off.

Riders on machine are subject to injury such as being struck by foreign objects and being thrown off of the machine. Riders also obstruct the operator's view resulting in the machine being operated in an unsafe manner.

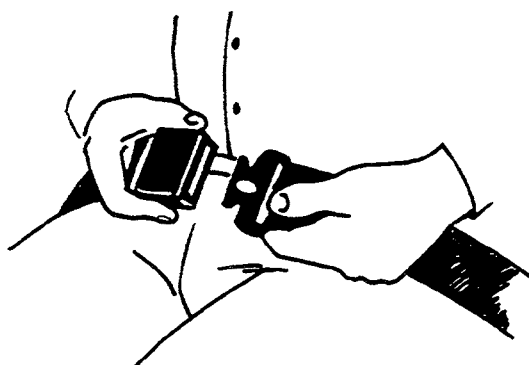


AB6;TS173 053;RIDER 261184

USE SEAT BELT PROPERLY

Use a seat belt when you operate with a roll-over protective structure (ROPS) to minimize chance of injury from an accident such as an overturn.

Do not use a seat belt if operating without a ROPS.

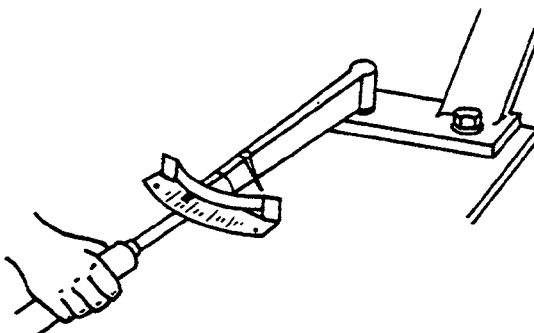


AB6;TS175 053;ROPS1 261184

KEEP ROPS INSTALLED PROPERLY

Make certain all parts are reinstalled correctly if the roll-over protective structure (ROPS) is loosened or removed for any reason. Tighten mounting bolts to proper torque.

The protection offered by ROPS will be impaired if ROPS is subjected to structural damage, is involved in an overturn incident, or is in any way altered. A damaged ROPS should be replaced, not reused.



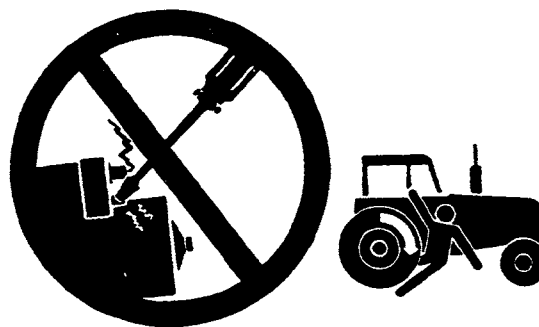
AB6;TS176 053;ROPS3 261184

PREVENT MACHINE RUNAWAY

Avoid possible injury or death from machinery runaway.

Do not start engine by shorting across starter terminals. Machine will start in gear if normal circuitry is by passed.

NEVER start engine while standing on ground. Start engine only from operator's seat, with transmission in neutral or park.



AB6;TS177 053;BYPAS1 210585

TOW EQUIPMENT PROPERLY

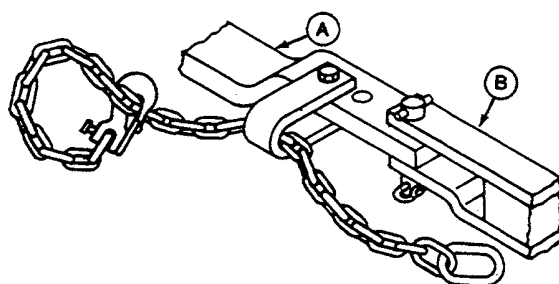
Use caution when towing loads at transport speeds. Reduce speed if towed load weighs more than the tractor and is not equipped with brakes. Avoid hard braking applications. (Consult implement operator's manual for recommended transport speeds.)

Use additional caution when transporting towed loads under adverse surface conditions, when turning, or on inclines.

U01;TOW 061284

USE A SAFETY CHAIN

A safety chain will help control drawn equipment (B) should it accidentally separate from the drawbar (A) while transporting. Using the appropriate adapter parts, attach the chain to the tractor drawbar support or other specified anchor location. Provide only enough slack in the chain to permit turning. See your John Deere dealer for a chain with a strength rating equal to or greater than the gross weight of the towed machine.



AB6;TS163 053;CHAIN 310884

USE ADEQUATE SERVICE FACILITIES

Keep service area clean and dry. Wet or oily floors are slippery. Wet spots can be dangerous when working with electrical equipment.

Be sure all electrical outlets and tools are properly grounded.

Periodically check shop exhaust system for leakage. Engine exhaust gas is dangerous.

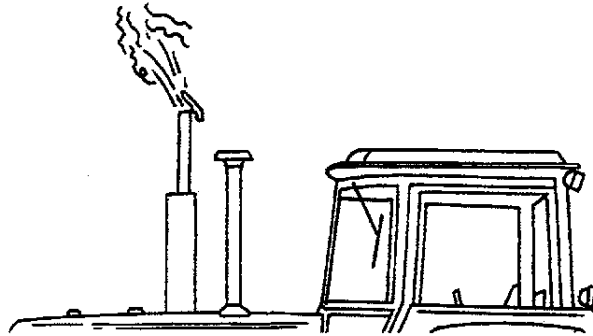
Use adequate light for job at hand.

Use lifting equipment and safety stands which have adequate strength for the job being performed.

U10;010INT BX1 261185

AVOID EXHAUST FUMES

Never run engine in a closed building. Make sure service area is adequately ventilated.



AJ7;RW5703 L U01;AVOID FUMES 090585

WEAR PROTECTIVE CLOTHING

Wear fairly tight clothing, and safety equipment.



AB6;TS184 053;WEAR2 080785

SERVICE TRACTOR SAFELY

Do not service the tractor while it is in motion or while the engine is running.

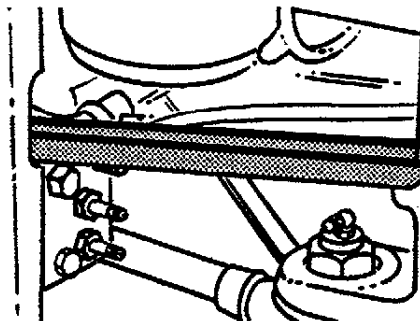
Stay clear of hinge area when engine is running. Stop engine and remove key before working near hinge.

Drive Shaft does not turn at engine start-up until clutch pedal is depressed and released. Be aware of sudden rotation of drive shaft as clutch is actuated.

Install lock bars (A) on tractor hinge before performing service work in hinge area. Be sure lock bars are removed before operating tractor.

Disconnect the battery ground cable before working on the electrical system or working in any area when you might accidentally contact electrical components. A short circuit could cause burns as well as damaging the electrical system.

Reinstall all shields removed during service.



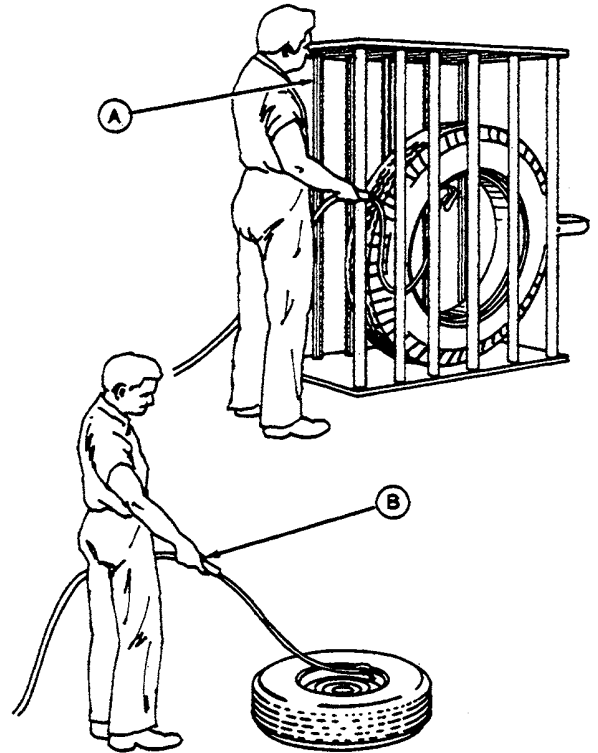
AC9;RW8194 U10;0101INT K 220283

SERVICE TIRES SAFELY

Failure to follow proper procedures when mounting a tire on a wheel or rim can produce an explosion which may result in serious injury or death. Do not attempt to mount a tire unless you have the proper equipment and experience to perform the job.

When sealing tire beads on rims, never exceed 240 kPa (2.4 bar) (35 psi) or maximum inflation pressures specified by tire manufacturers for mounting tires. Inflation beyond this maximum pressure may break the bead, or even the rim, with dangerous explosive force. If both beads are not seated when the maximum recommended pressure is reached, deflate, reposition tire, relubricate bead, and reinflate.

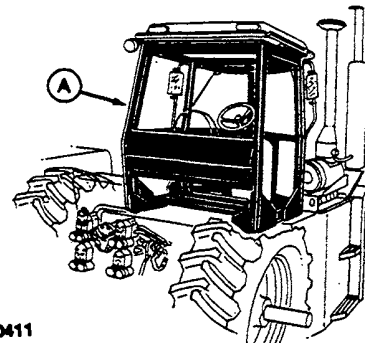
Detailed agricultural tire mounting instructions, including necessary safety precautions, are contained in John Deere Fundamentals of Service (FOS) Manual 55. Such information is also available from the Rubber Manufacturers Association and from tire manufacturers.



AC3;TS0123 U10;010INT L 030484

DO NOT MODIFY TRACTOR

Never modify structural members of the roll-over protective structure (ROPS) (A) of the SOUND-GARD body by welding, bending, drilling or cutting as this might weaken the structure. If any structural member is damaged, replace the entire structure. Do not attempt repairs.



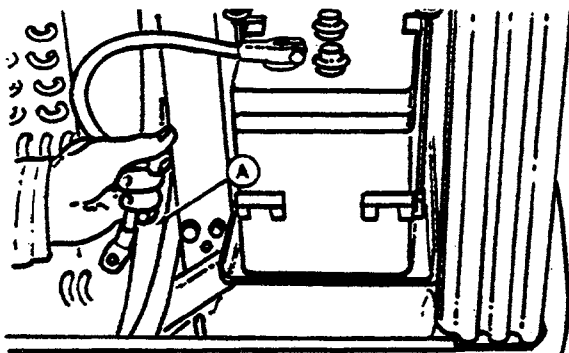
RW10411

AJ7;RW1041 1 U01;MODIFY 4WD 061185

OBSERVE ELECTRICAL SERVICE PRECAUTIONS

Keep all sparks and flames away from batteries, as gas given off by electrolyte is explosive. To avoid sparks, connect ground cable (A) last and disconnect it first. When using a booster battery, follow instructions in operator's manual.

Disconnect battery ground cable before working in an area where you might accidentally contact electrical components, causing shocks, burns, or damage to electrical system.



AJ7;RW8196 U10;010INT N 250285

AVOID HIGH-PRESSURE FLUIDS

Escaping fluid under pressure can penetrate the skin causing serious injury. Relieve pressure before disconnecting hydraulic or other lines. Tighten all connections before applying pressure. Keep hands and body away from pinholes and nozzles which eject fluids under high pressure. Use a piece of cardboard or paper to search for leaks.

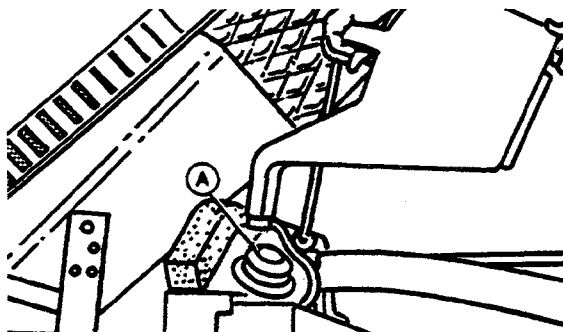
If ANY fluid is injected into the skin, it must be surgically removed within a few hours by a doctor familiar with this type injury or gangrene may result.



AB6;X9811 053;FLUID 100584

SERVICE COOLING SYSTEM SAFELY

Do not remove radiator cap (A) when engine is hot. Shut the engine off and wait until it cools. Then turn the cap slowly to the first stop to relieve pressure before removing it completely.

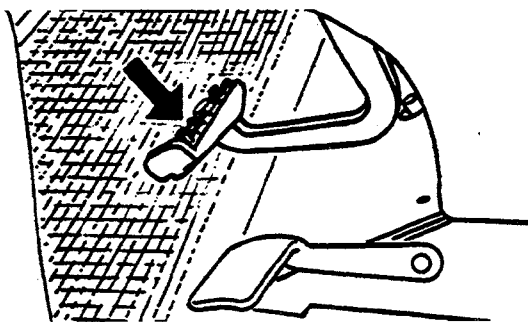


AJ7;RW8195 U01;COOL IT1 111185

SERVICE BRAKE ACCUMULATOR SAFELY

Accumulator contains gas and oil under pressure. To avoid injury from escaping fluid, relieve all pressure from accumulator before disconnecting brake accumulator or brake valve. To do so open bleed screws and pump brake pedal with engine stopped, until pedal easily goes all the way down.

The accumulator is charged with dry nitrogen to a pressure of 500 psi (3450 kPa) (35 bar). If it needs recharging, have job done only by a qualified service person and only with dry nitrogen.



AC3;RW8103 U01;FIX BRAKE1 311085

AVOID EXPLOSIONS OR FIRE

Batteries produce explosive gas. Before using booster batteries, read instructions in operator's manual.

Before connecting or disconnecting battery charger, turn the charger off to avoid sparks. See instructions in operator's manual.

Be careful with starting fluid or any type of fuel.

Never smoke while handling fuel.

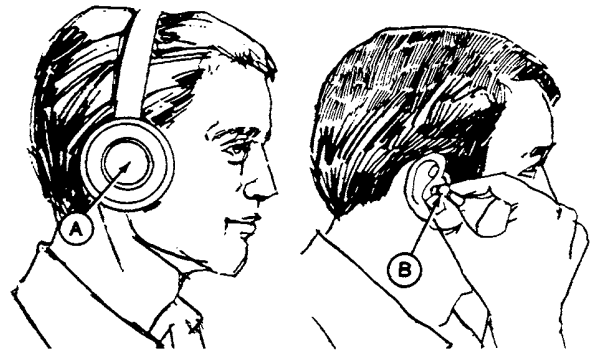


AC3;RW5895 U01;FIRE 091184

PROTECT AGAINST NOISE

Prolonged exposure to loud noise can cause impairment or loss of hearing.

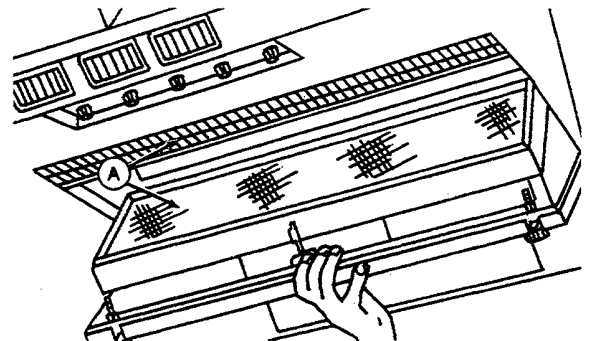
Wear a suitable hearing protective device such as earmuffs (A) or earplugs (B) to protect against objectionable uncomfortable loud noises.



AB6;X7662 053;NOISE 150584

HANDLE CHEMICALS PROPERLY

SOUND-GARD body air filters (A) are not designed to filter out harmful chemicals. Follow instructions given in the implement operator's manual and those given by the chemical manufacturer when using agricultural chemicals.



AJ7;RW5704 L U01;HANDLE CHEM 090585

PREVENT BATTERY EXPLOSIONS

Battery gas can explode. Keep sparks and flames away from batteries. Use a flashlight to check battery electrolyte level.

Never check battery charge by placing a metal object across the posts. Use a voltmeter or hydrometer.

Always remove grounded (-) battery clamp first and replace it last.



AB6;TS181 053;EXPLO 180485

AVOID ACID BURNS

Sulfuric acid in battery electrolyte is poisonous. It is strong enough to burn skin, eat holes in clothing, and cause blindness if splashed into eyes.

Avoid the hazard by:

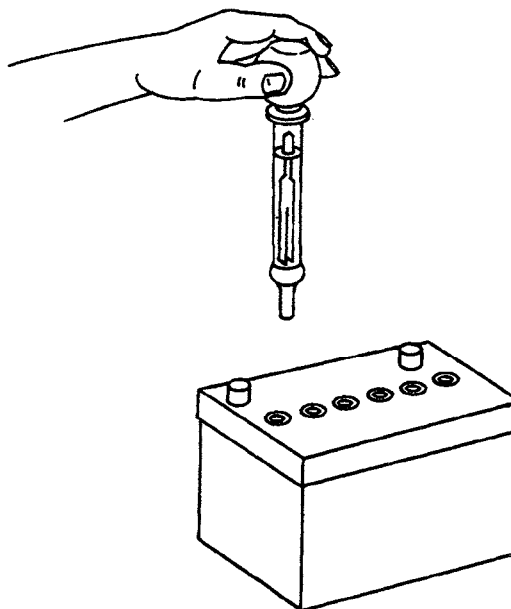
1. Filling batteries in a well-ventilated area.
2. Wearing eye protection and rubber gloves.
3. Avoiding breathing fumes when electrolyte is added.
4. Avoiding spilling or dripping electrolyte.

If you spill acid on yourself:

1. Flush your skin with water.
2. Apply baking soda or lime to help neutralize the acid.
3. Flush your eyes with water for 10-15 minutes. Get medical attention immediately.

If acid is swallowed:

1. Drink large amounts of water or milk.
2. Then drink milk of magnesia, beaten eggs, or vegetable oil.
3. Get medical attention immediately.



AB6;TS182 053;ACID 180485

HANDLE FUEL SAFELY—AVOID FIRES

Handle fuel with care: it is highly flammable. Do not refuel the machine while smoking or when near open flame or sparks.

Always stop engine before refueling machine. Fill fuel tank outdoors.

Prevent fires by keeping machine clean of accumulated trash, grease, and debris. Always clean up spilled fuel.



AB6;TS185 053;FIRE1 240785

PREPARE FOR EMERGENCIES

Be prepared if a fire starts.

Keep a first aid kit and fire extinguishers handy.

Keep emergency numbers for doctors, ambulance service, hospital, and fire department near your telephone.



AB6;TS186 053;FIRE2 080785

HANDLE STARTING FLUID SAFELY

Starting fluid is highly flammable.

Keep all sparks and flame away when using it. To prevent accidental discharge when storing the pressurized can, keep the cap on the container, and store in a cool, protected location.

Do not incinerate or puncture a starting fluid container.



AB6;T6089A U 053;FIRE3 080785

Introduction and Safety Information

Section 10 GENERAL

CONTENTS

GROUP 00 - SPECIFICATIONS AND SPECIAL TOOLS

General Tractor Specifications	10-00-01
Ground Speeds	10-00-02
Predelivery	10-00-03
Tune-up	10-00-03
Lubrication	10-00-04
English Torque Specifications	10-00-05
Metric Torque Specifications	10-00-05
Special Tools	10-00-06

GROUP 05 - PREDELIVERY, DELIVERY AND AFTER-SALE SERVICES

Dealer Predelivery Service	10-05-01
Charge Battery(ies) (If Needed)	10-05-01
Install ROLL-GARD As Per Instructions	10-05-02
If Equipped, Install Ether Aid Solenoid Wiring	10-05-02
Tighten Air Intake Hose Clamps	10-05-02
Adjust All Lamps	10-05-03
Aim Head Lamps	10-05-03
Remove SMV Plastic Cover	10-05-03
Check Tire Pressure	10-05-04
Adjust Wheel Spacing	10-05-05
Adjusting Front Fenders	10-05-05
Adjust Front Wheel Toe-In	10-05-05
On FWD: (If Equipped), Set Steering Stops	10-05-06
Torque Wheel Hardware To Specifications	10-05-06
Lubricate All Grease Fittings	10-05-06
Follow Break-In Procedure	10-05-06
Verify Factory Services	10-05-07
Is Engine Crankcase Oil Level Correct	10-05-07
Is Fuel Injection Sealing Cover (Or Pump Seals) Intact	10-05-07
Is Air Cleaner Element(s) Installed Correctly	10-05-07
Is Belt(s) Adjusted Correctly	10-05-08
Is Engine Coolant Level Correct	10-05-08
Is Transmission/Hydraulic System Oil Level Correct	10-05-08
Are Shields, Handrails, and Steps Installed Correctly	10-05-09

Is Clutch Pedal Adjusted Correctly	10-05-09
If 4WD, Are Safety Hinge Straps On Tractor	10-05-09
Was Battery(ies) Charged As Received From Factory	10-05-10
If Equipped, Does INVESTIGATOR™ II Warning System Operate Correctly ..	10-05-10
Are Instrument Panel Gauges And Lights Operating Correctly	10-05-10
Are All Lights Operating Correctly In All Positions	10-05-11
Is Neutral Start Switch Operating Correctly	10-05-11
Is Engine Fast And Slow Idle Adjusted Correctly	10-05-11
Does Engine Stop Knob Operate Correctly	10-05-11
Are Brakes Operating Correctly With Engine On/Off	10-05-12
Does Transmission Operate Correctly In All Gears (And In Park)	10-05-12
Does Hydraulic System Operate Properly	10-05-12
Does PTO Operate Correctly	10-05-13
Are Coolant Lines Free Of Leaks	10-05-13
Are Engine Oil Lines Free Of Leaks	10-05-13
Are Fuel Lines Free Of Leaks	10-05-13
Are Hydraulic/Transmission Lines Free Of Leaks	10-05-14
Are Seat Belts Installed And Operational, If Equipped	10-05-14
Are Decals Smooth And Neat	10-05-14
Is Paint Coverage Acceptable	10-05-14
Is Overall Tractor Appearance Acceptable	10-05-14
If Equipped, Does SGB Door Operate Properly	10-05-14
If Equipped, Is SGB Upholstery Neat In Appearance	10-05-15
If Equipped, Is Interior of SGB Clean	10-05-15

Continued on next page

U10;010CON AX1 281085

CONTENTS—CONTINUED

**GROUP 05 - PREDELIVERY, DELIVERY AND
AFTER-SALE SERVICES - Cont.**

Delivery Service	10-05-15
After Sale Inspection	10-05-16
Inspect Engine	10-05-17
Are There Any Oil, Fuel Or Coolant Leaks	10-05-17
Is Fan Belt Tension Correct	10-05-17
Are Engine Idle Speeds Correct	10-05-17
Does Fuel Shut-Off Operate Correctly	10-05-18
Is Throttle Lever Friction Disk Adjusted Correctly	10-05-18
Inspect Electrical System	10-05-18
Does Neutral Start Switch Operate Correctly	10-05-18
Do All Lights Operate Correctly	10-05-18
Does Air Conditioner Operate Correctly	10-05-19
Is Battery At Full Charge	10-05-19
Inspect Power Train	10-05-20
Is Transmission Operating In All Gears And In Park	10-05-20
Is Differential Lock Operating Correctly And Adjusted With Brake Pedal	10-05-20
Is PTO Operating Correctly And Are Shields In Place	10-05-20
Inspect Hydraulic System	10-05-21
Is Rockshaft Operating Correctly	10-05-21
Are There Any Visible Oil Leaks	10-05-21
Inspect Steering And Brakes	10-05-21
Do Brakes Operate Correctly With Engine On And Off	10-05-21
Does Steering Operate Correctly Both Left And Right	10-05-22
Inspect Operator Station	10-05-22
Are SGB Or ROPS Mounting Tight And Properly Installed	10-05-22
Is Seat Operating Correctly	10-05-23
Are All Gauges And Indicator Lights Operating Correctly	10-05-23
Are Following Fluid Levels Correct:	10-05-23
Engine Crankcase	10-05-24
Engine Coolant	10-05-24
Hydraulic System	10-05-24
Battery	10-05-24

Does Customer Understand Proper Operation and Maintenance Of Tractor	10-05-25
--	----------

GROUP 10 - TUNE-UP

Preliminary Engine Tests	10-10-01
Remove and Inspect Air Cleaner Elements	10-10-02
Cleaning Element	10-10-03
Washing Element	10-10-03
Inspect Element	10-10-04
Tighten Air Intake Connections	10-10-04
Check Air Intake Vacuum	10-10-04
Clean Crankcase Vent Tube	10-10-05
Cleaning Grille Screens, Radiator and Oil Cooler	10-10-06
Yearly Cooling System Flush	10-10-07
Engine Cooler-Conditioner Filter	10-10-08
Test Radiator Cap	10-10-09
Adjusting Fan Belt Tension	10-10-10
Adjusting Compressor or Alternator Belt Tension	10-10-10
Check Fuel Filters	10-10-10
Bleeding Fuel Lines	10-10-10
Check and Adjust Injection Pump Timing	10-10-11
Check and Adjust Slow and Fast Idle Speeds	10-10-12
Servicing Battery	10-10-13
Make Final Engine Test	10-10-14

GROUP 15 - LUBRICATION

Lubricate Tractor Properly	10-15-01
Engine Oil	10-15-01
Transmission - Hydraulic Oils	10-15-02
Grease	10-15-02
Use Approved Alternative Lubricants	10-15-03
Store Lubricants Correctly	10-15-03
Lubrication Services (Chart)	10-15-04
Check Engine Oil Level	10-15-05
Change Engine Oil and Oil Filter	10-15-05
Clean Crankcase Vent Tube	10-15-06
Check Transmission-Hydraulic Oil Level	10-15-06

Continued on next page

U10;010CON BX1 281085

CONTENTS—CONTINUED

GROUP 15 - LUBRICATION - Continued

Replace Hydraulic Oil Filter	10-15-06	Lubricate Steering Feedback Cylinder	
Change Transmission-Hydraulic Oil	10-15-06	Rear Pivot Pin	10-15-09
Clean Transmission-Hydraulic Oil		Lubricate Remote Grease Fittings	10-15-10
Filter Screens	10-15-07	Lubricate Wide Swing Drawbar	10-15-10
Replace Transmission Oil Filter	10-15-07	Lubricate Outer Bearing Supports	10-15-10
Lubricate Axle Bearings	10-15-08	Lubricate Lift Arms	10-15-10
Lubricate Hinge Pins	10-15-08	Lubricate Center Link	10-15-11
Lubricate U-Joints	10-15-09	Lubricate Front Differential Rear Pivot ...	10-15-11
Lubricate Steering Cylinder Rear		Lubricate Front Differential Front	
Pivot Pins	10-15-09	Pivot	10-15-11

Please click here and go
back to our website.

BUY NOW

Then Instant Download the
Complete Manual.

Thank you very much!