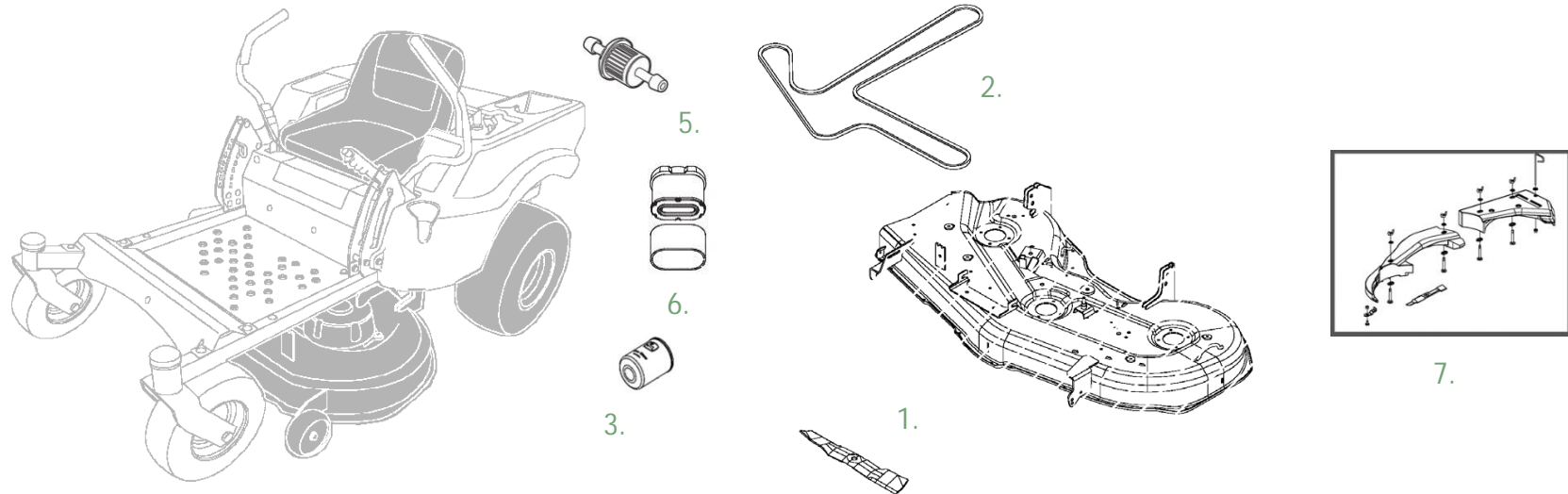


John Deere Z425 EZtrak™

Parts and Maintenance Information



Key	Description	Part Number	THD Store SKU	THD Online SKU
1.	54 inch Mower Blade (3n1)	M143520	NA	203779151
2.	54 inch Mower Deck Belt	M158131	See Local John Deere Dealer	See Local John Deere Dealer
3.	Oil Filter	GY20577	226-963	100175070
4.	Oil	TY22029	226-971	100127512
5.	Fuel Filter	GY20709	289-625	100126418
6.	Air Filter	GY21057	718-508	202274986
7.	Mulch Kit	BM20827	See Local John Deere Dealer	See Local John Deere Dealer

John Deere Z425 EZtrak™

Parts and Maintenance Information

Service Intervals

After 8 Hours	Every 100 Hours or Annually
Change engine oil	Replace air filter element(s)
Change engine oil filter	Replace fuel filter
Check mower deck level	Check mower belt
Every 50 hours or Annually	Sharpen / replace mower blades
Change engine oil	Clean underside of deck
Change engine oil filter	Check tire pressure
Lubricate mower deck spindles	Clean engine cooling fins
Clean air intake screens	Check mower deck level
Check mower deck level	Every 200 Hours
	Check / adjust engine valve clearance. See your John Deere dealer for this service.

For complete parts information for EZtrak™ Mowers: Visit your local John Deere Dealer or www.Deere.com

*Refer to Operators Manual for a complete listing of service intervals.

